

## **MOTO GUZZI WOULD LIKE TO THANK YOU**

for choosing one of its products. We have drawn up this manual to show you all the features of your motorcycle. Please read it carefully before riding the motorcycle for the first time. It contains information, tips and precautions for using your vehicle. You will also discover features, details and devices which will reassure you that you have made the right choice. We believe that if you follow our suggestions, you will soon get to know your new motorbike inside and out and it will serve you well for a long time to come. This booklet is an integral part of the vehicle; should the vehicle be sold, it must be transferred to the new owner.

# **V85 TT - V85 TT Travel E5**



The instructions contained in this booklet were written to provide a simple and clear guide for use of the vehicle. The manual also details routine maintenance procedures and regular checks that should be carried out on the vehicle at an authorized Moto Guzzi Dealer or **Service Center**, as well as instructions for some simple maintenance items. Procedures not described in detail here require the use of special tools and/or specific technical knowledge: we therefore advise you to contact an **authorized Moto Guzzi Dealer or Workshop** if you need them to be carried out.



### **Personal safety**

Failure to completely observe these instructions will result in serious risk of personal injury.



### **Protecting the environment**

Sections marked with this symbol indicate the correct use of the vehicle to prevent damaging the environment.



### **Vehicle condition**

The incomplete or lack of observance to these regulations can lead to risk of serious damage to the vehicle and may even invalidate the warranty.

*The signs pictured above are very important. They work to highlight those parts of the booklet that should be read with particular care. As you can see, each sign consists of a different graphic symbol, making it quick and easy to locate the various topics. Before you start the engine, read this booklet carefully, paying particular attention to the chapter on "General Safety Rules ". Your safety and that of other road users depends as much on your ability to respond to other traffic and unexpected occurrences as on your familiarity with your vehicle, the vehicle's efficiency and your knowledge of basic SAFE RIDING techniques. We therefore recommend that you should take the time to familiarize yourself with your vehicle, so that you can move in road traffic confidently and safely. **IMPORTANT** This booklet is an integral part of the vehicle and must be kept with the vehicle, even though the vehicle is sold.*



# INDEX

<b>GENERAL RULES</b> .....	7	Evaporative emissions control system.....	27
General Safety Rules.....	8	Manufacturer's Warranty Coverage.....	29
Foreword.....	8	Owner's Warranty Responsibilities.....	30
Carbon Monoxide.....	9	<b>VEHICLE</b> .....	35
Fuel.....	9	Arrangement of the Main Components.....	36
Hot Components.....	10	Dashboard.....	39
Warning Lights.....	10	Instrument panel.....	41
Used Engine Oil and Gearbox Oil.....	11	Light Unit.....	42
Brake fluid.....	12	Digital LCD Display.....	43
Battery Hydrogen Gas and Electrolyte.....	12	Alarms.....	49
General Precautions and Warnings.....	13	Mapping Selection.....	52
Road Regulations and Use of the Motorcycle.....	15	Control Buttons.....	55
Noise Emission Warranty.....	16	Advanced Functions.....	56
Information on the Noise and Exhaust Gas Emission Control System.....	0	Ignition Switch.....	86
Tampering.....	17	Locking the Handlebar.....	87
Problems that May Affect the Motorcycle Emissions.....	18	Horn Button.....	88
Position of the Warning Labels.....	18	Turn Signal Selector.....	89
Label 1.....	19	High/Low Beam Selector.....	90
Label 2.....	20	Passing Button.....	90
Label 3.....	21	Daytime/night lights switch.....	91
Label 4.....	21	Heated handgrip control.....	91
Label 5.....	22	Flasher button.....	92
Label 6.....	22	Start-up Button.....	93
Label 7.....	23	Engine Stop Switch.....	93
Label 8.....	23	Button Cruise Control.....	94
Label 9.....	24	Selector MODE.....	96
Label 10.....	24	ABS system.....	96
Label 11.....	25	MGCT system (Moto Guzzi Controllo Trazione).....	100
Label 12.....	25	immobilizer system performance.....	103
Label 13.....	26	Opening the saddle.....	105
Label 14.....	26	Glove/tool kit compartment.....	106
Label 15.....	27	USB Port.....	106
		The identification.....	107

Windshield adjustment.....	108	Long periods of inactivity.....	168
<b>USE.....</b>	<b>111</b>	Fuses.....	168
Checks.....	112	Front light group.....	172
Refueling.....	114	Headlight adjustment.....	172
Rear shock absorbers adjustment.....	118	Front direction indicators.....	173
Setting rear shock absorbers.....	119	Additional lights.....	174
Front Fork Adjustment.....	120	Bulb replacement.....	174
Front fork settings.....	122	Rear lights.....	175
Front brake lever adjustment.....	123	Rear turn signals.....	175
Rear brake pedal adjustment.....	124	Rear-view mirrors.....	175
Clutch lever adjustment.....	124	Front and rear disc brake.....	177
Running-In.....	125	Periods of inactivity.....	179
Starting the engine.....	126	Cleaning the vehicle.....	181
Moving off / riding.....	129	Transport.....	186
Stopping the engine.....	133	<b>TECHNICAL DATA.....</b>	<b>189</b>
Parking.....	134	Toolkit.....	197
Catalytic silencer.....	135	<b>SCHEDULED MAINTENANCE.....</b>	<b>199</b>
Stand.....	136	Scheduled servicing table.....	200
Suggestion to prevent theft.....	138	Recommended Products.....	203
Safe riding.....	139		
Basic safety rules.....	148		
Load.....	152		
<b>MAINTENANCE.....</b>	<b>155</b>		
Foreword.....	156		
Engine oil level.....	156		
Engine oil level check.....	158		
Engine Oil Top Off.....	159		
Engine oil change.....	159		
Replacement of engine oil filter.....	159		
Bevel gear pair oil level.....	160		
Gearbox oil level.....	160		
Tires.....	160		
Spark plug removal.....	163		
Air filter removal.....	163		
Checking the brake fluid level.....	163		
Braking system fluid top up.....	164		
Battery removal.....	165		
Electrolyte level check.....	167		
Charging the Battery.....	167		

# V85 TT - V85 TT Travel E5



**Chap. 01**  
**General rules**

## General Safety Rules

Before starting the engine, carefully read this use and maintenance manual and in particular the chapters "GENERAL PRECAUTIONS AND WARNINGS" and "SAFE RIDING".

Your safety and that of other persons depends not only on your driving skills, but also on your knowledge of the vehicle and how to drive safely. Therefore, it is essential not to use the vehicle on public roads or highways before having received instructions from a qualified safety organization such as the Motorcycle Safety Foundation, having an adequate training and having a motorcycle driving license.

## Foreword

### NOTE

**THIS USE AND MAINTENANCE MANUAL IS AN IMPORTANT DOCUMENT AND MUST ALWAYS BE KEPT WITH THE VEHICLE. IF THE VEHICLE IS RESOLD, PLEASE PROVIDE THIS MANUAL TO THE NEW OWNER.**

**Moto Guzzi** has created this use and maintenance manual to provide you, the user, with correct and updated information. However, considering the fact that **Moto Guzzi** is constantly improving the design of its vehicles, there may be slight differences between the characteristics of the vehicle in your possession and the information contained in this use and maintenance manual. For any questions concerning your vehicle, contact your local **Moto Guzzi** dealer who will always be updated with the latest information available from the company. For checks and repairs not expressly described in this manual, the purchase of original spare parts, accessories and other **Moto Guzzi** products, as well as support on specific problems, contact your local **Moto Guzzi** dealer or service centre. These professionals will provide you a quick and accurate service.

Thank you for choosing **Moto Guzzi**.

We wish you a pleasant ride!

This use and maintenance manual is copyright protected in all countries, and total or partial reproduction by any print or electronic means is strictly prohibited.

## Carbon Monoxide

### IMPORTANT



**EXHAUST EMISSIONS CONTAIN CARBON MONOXIDE, A POISONOUS GAS WHICH CAN CAUSE LOSS OF CONSCIOUSNESS AND EVEN DEATH.**

### IMPORTANT



**CARBON MONOXIDE IS ODOURLESS AND COLOURLESS, THEREFORE IT CANNOT BE DETECTED BY SMELL, SIGHT OR OTHER SENSES. DO NOT BREATHE IN EXHAUST FUMES UNDER ANY CIRCUMSTANCES.**

## Fuel

### IMPORTANT



**FUEL USED TO DRIVE EXPLOSION ENGINES IS HIGHLY INFLAMMABLE AND CAN BECOME EXPLOSIVE UNDER SPECIFIC CONDITIONS. IT IS THEREFORE RECOMMENDED TO CARRY OUT REFUELLING AND MAINTENANCE PROCEDURES IN A VENTILATED AREA WITH THE ENGINE SWITCHED OFF. DO NOT SMOKE DURING REFUELLING OR NEAR FUEL VAPOUR. AVOID ANY CON-**

**TACT WITH NAKED FLAME, SPARKS OR OTHER HEAT SOURCES WHICH MAY CAUSE IGNITION OR EXPLOSION.**

**DO NOT ALLOW FUEL TO DISPERSE INTO THE ENVIRONMENT.**

**KEEP OUT OF THE REACH OF CHILDREN.**



**IF THE VEHICLE FALLS OR IS ON A STEEP INCLINE FUEL CAN LEAK.**

### **Hot Components**

The engine and the exhaust system components get very hot and remain in this condition for a certain time interval after the engine has been switched off. Before handling these components, make sure that you are wearing insulating gloves or wait until the engine and the exhaust system have cooled down.

### **Warning Lights**



**IF THE ALARM WARNING LAMPS ILLUMINATE DURING THE NORMAL ENGINE OPERATION, THIS MEANS THAT THE ELECTRONIC CONTROL UNIT HAS FOUND AN ABNORMALITY.**



IF THE GENERAL ALARM WARNING LAMP FLASHES DURING THE NORMAL ENGINE OPERATION, THIS MEANS THAT THE OIL PRESSURE IN THE CIRCUIT IS INSUFFICIENT.

IN THIS CASE THE ENGINE MUST BE SHUT OFF IMMEDIATELY IN ORDER TO PREVENT POSSIBLE DAMAGE.



PERFORM THE MOTOR OIL LEVEL CHECK. IF THE INSUFFICIENT MOTOR OIL PRESSURE LIGHT REMAINS DESPITE THE ABOVE PROCEDURE BEING PERFORMED CORRECTLY, CONTACT AN AUTHORIZED Moto Guzzi Dealer TO HAVE THE SYSTEM CHECKED.

## Used Engine Oil and Gearbox Oil

### IMPORTANT



WHEN CARRYING OUT MAINTENANCE OPERATIONS, IT IS ADVISABLE TO WEAR PROTECTIVE IMPERMEABLE GLOVES.

THE ENGINE OR GEARBOX OIL MAY CAUSE SERIOUS INJURIES TO THE SKIN IF HANDLED FOR PROLONGED PERIODS OF TIME AND ON A REGULAR BASIS.

WASH YOUR HANDS CAREFULLY AFTER HANDLING OIL.

HAND THE OIL OVER TO OR HAVE IT COLLECTED BY THE NEAREST USED OIL RECYCLING COMPANY OR THE SUPPLIER.

DO NOT DISPOSE OF OIL IN THE ENVIRONMENT

KEEP OUT OF THE REACH OF CHILDREN.

### Brake fluid



**BRAKE FLUID MAY BE HARMFUL TO PAINTWORK, PLASTIC AND RUBBER. WHEN SERVICING THE BRAKING SYSTEM, PROTECT THESE COMPONENTS WITH A CLEAN CLOTH. ALWAYS WEAR PROTECTIVE GOGGLES WHEN SERVICING THESE SYSTEMS. BRAKE FLUID IS EXTREMELY HARMFUL TO THE EYES. IN THE EVENT OF ACCIDENTAL CONTACT WITH THE EYES, RINSE THE EYES IMMEDIATELY WITH PLENTY OF COOL, CLEAN WATER AND SEEK IMMEDIATE MEDICAL ATTENTION.**

KEEP OUT OF THE REACH OF CHILDREN.

### Battery Hydrogen Gas and Electrolyte

#### IMPORTANT



**THE BATTERY ELECTROLYTE IS TOXIC, CORROSIVE AND, AS IT CONTAINS SULPHURIC ACID, MAY CAUSE BURNING IF IT COMES INTO CONTACT WITH THE SKIN. WHEN HANDLING BATTERY ELECTROLYTE, WEAR TIGHT-FITTING GLOVES AND PROTECTIVE APPAREL. IN THE EVENT OF SKIN CONTACT WITH THE ELECTROLYTIC FLUID, RINSE WELL WITH PLENTY OF CLEAN WATER. IT IS PARTICULARLY IMPORTANT TO PROTECT YOUR EYES BECAUSE EVEN TINY AMOUNTS OF BATTERY ACID MAY CAUSE BLINDNESS. SEEK SPECIALISED MEDICAL ATTENTION IMMEDIATELY IN THE EVENT OF CONTACT WITH THE EYES. THE BATTERY RELEASES EXPLOSIVE GASES; KEEP IT AWAY FROM FLAMES, SPARKS, CIGARETTES OR ANY OTHER HEAT SOURCES. EN-**

**SURE ADEQUATE VENTILATION WHEN SERVICING OR RECHARGING THE BATTERY.**

**KEEP OUT OF THE REACH OF CHILDREN.**

**BATTERY LIQUID IS CORROSIVE. DO NOT POUR OR SPILL ON PLASTIC COMPONENTS IN PARTICULAR. ENSURE THAT THE ELECTROLYTIC ACID IS COMPATIBLE WITH THE BATTERY BEING ACTIVATED.**

## **General Precautions and Warnings**

### **DANGER OF OVERHEATING**

WHEN THE VEHICLE IS STATIONARY, DO NOT KEEP THE ENGINE RUNNING MORE THAN NECESSARY, THIS MAY CAUSE EXCESSIVE OVERHEATING. IN EXTREME CASES, RISK OF FIRE.

- WHEN THE VEHICLE IS STATIONARY, DO NOT UNNECESSARILY RUN THE ENGINE.
- START IMMEDIATELY AFTER IGNITION, MAKING SURE TO RIDE A SHORT INITIAL DISTANCE AT LOW RPM.
- AFTER USE, AS SOON AS PARKED, THE ENGINE MUST BE IMMEDIATELY TURNED OFF.
- AFTER USE, DO NOT PLACE OBJECTS IN CONTACT WITH THE VEHICLE, WHEN IT IS STILL HOT, AS THEY COULD IGNITE (E.G. PROTECTIVE FABRICS, JACKET, ETC.).

### **TAMPERING**

- NEVER TAMPER WITH ANY PART OF THE MOTORCYCLE (E.G. ENGINE CONTROL UNIT, THROTTLE VALVES, CLUTCH, EXHAUST SYSTEM, ETC.). THIS MAY CAUSE DAMAGE TO THE COMPONENTS INVOLVED, FAILURE OF RELEVANT SAFETY FUNCTIONS AND LOSS OF THE WARRANTY.

**DANGER OF BURNS**

IN CASE OF OVERHEATING OF THE ENGINE AND EXHAUST SYSTEMS WHILE RUNNING, PAY PARTICULAR ATTENTION:

- DANGER OF BURNS:
- AFTER TURNING OFF THE VEHICLE, PAY ATTENTION THAT NO PERSON OR OBJECT COMES IN CONTACT WITH THE ENGINE AND THE EXHAUST SYSTEM.

Unless otherwise specified in this Use and Maintenance Manual, do not remove any mechanical or electrical component.

**IMPORTANT**

**SOME CONNECTORS IN THE VEHICLE MAY BE ACCIDENTALLY SWAPPED AND MAY COMPROMISE NORMAL VEHICLE OPERATION IF INCORRECTLY INSTALLED.**

If you have any questions regarding your warranty rights and responsibilities, please contact Piaggio Group Americas, Inc., 257 Park Avenue South, 4th Floor New York, NY 10010, U.S.A. Telephone number: (212) 380 4400, the U.S. Environmental Protection Agency, 2000 Traverwood Ann Arbor, MI 48105 or the California Air Resources Board at P.O. Box 8001, 9528 Telstar Avenue, El Monte, CA 91734-8001.

If it is found that your vehicle has a defect that could cause an accident, injury or death, immediately report it to NHTSA (**National Highway Traffic Safety Administration**) and **Moto Guzzi**. If NHTSA receives other similar information, it could initiate an investigation, and if a safety defect is found affecting a group of vehicles it could request its withdrawal or the application of corrective measures. In any case, the NHTSA does not intervene in the event of individual problems between persons, dealers or **Moto Guzzi**. To contact NHTSA, call the **Vehicle Safety Hotline** toll-free number (888 327 4236) or write to: U.S. Department of Transportation, National Highway Safety Administration, 1200 New Jersey Ave., SE, Washington DC 20590. For more information regarding vehicle safety, call the toll-free number.

Your safety and that of the persons around you depends not only on your driving skills, but also on your knowledge of the vehicle and the safety rules.

Therefore, it is essential not to use the vehicle on public roads or highways before having received instructions from a qualified and prepared safety organization, for example MOTORCYCLE SAFETY FOUNDATION.

### **LIST OF DEFECTS THAT COMPROMISE THE SAFETY**

If it is found that your vehicle has a defect that could cause an accident or death, immediately report it to the National Highway Traffic Safety Administration (NHTSA), a section of the American Department of Transportation.

After receiving information on alleged defects, NHTSA could open an investigation to find out if there is a group of defective vehicles on the market. At that point, it could launch an information campaign and recall the vehicles from the market. However, neither the NHTSA nor the Department of Transportation will be involved in personal matters regarding the consumer and manufacturer.

Additional information can be obtained by calling the specified number.

## **Road Regulations and Use of the Motorcycle**

The road traffic code rules vary from state to state. It is extremely important to know in advance the road traffic code rules of the country where the vehicle will be used.

### **IMPORTANT**



**THIS VEHICLE HAS BEEN DESIGNED TO BE USED ON ASPHALT ROADS ONLY. IT WAS NOT DESIGNED TO BE USED ON OFF-ROAD TRACKS, RACE CIRCUITS, OFF-ROAD OR FOR MOTOCROSS COMPETITIONS. DO NOT RIDE THIS VEHICLE ON UNEVEN SURFACES, DIRT OR GRAVEL ROADS. FAILURE TO FOLLOW**

**THESE WARNINGS COULD LEAD TO A FALL WITH CONSEQUENT INJURIES, EVEN DEATH.**

## **Noise Emission Warranty**

**Piaggio & Co. S.p.A** warrants that the exhaust system complies with all US **EPA** federal noise emission standards in effect at the time of production. Any questions concerning the exhaust system of this vehicle must be addressed to any authorised **Moto Guzzi** dealer or to the **Moto Guzzi** Customer Care by calling (212) 380 4433, or by writing to:

**Moto Guzzi Customer Care c/o Piaggio Group Americas, Inc.**

257 Park Avenue South, 4th Floor,

New York, NY 10010

U.S.A.

## **Origin of the Emissions**

**IMPORTANT**



**THE COMBUSTION PROCESS PRODUCES CARBON MONOXIDE AND HYDROCARBONS. THE CONTROL OF HYDROCARBONS IS VERY IMPORTANT BECAUSE UNDER CERTAIN CONDITIONS THEY REACT TO EXPOSURE TO SUNLIGHT AND PRODUCE PHOTO-CHEMICAL SMOG.**

**WHILE CARBON MONOXIDE DOES NOT REACT IN THE SAME WAY AS HYDROCARBONS, IT IS HIGHLY TOXIC AND HARMFUL. Moto Guzzi USES A CARBURETTOR ADJUSTMENT SET TO A "LEAN" MIXTURE AND OTHER SYS-**

## TEMS TO REDUCE THE PRODUCTION OF CARBON MONOXIDE AND HYDRO-CARBONS.

### Tampering

It is forbidden to tamper the noise control system. The following actions are prohibited by federal law:

**a)** The removal and any action, by anyone, aimed at rendering inoperative, except for maintenance, repair or replacement, any device or design element incorporated in all new vehicles, in order to control the noise emission before sale or delivery of the vehicle to the final purchaser or while it is being used,

or

**b)** the use of the vehicle after this device or design element has been removed or rendered inoperative by any person.

These tampering actions also include the actions listed below:

**a)** Removal or perforation of the silencer, deflectors, manifold pipes or any other component for conveying the exhaust gases.

**b)** Disassembly or perforation of any component of the intake system.

**c)** Insufficient proper maintenance.

**d)** Replacement of any moving part of the vehicle or parts of the intake or exhaust system with parts other than those specified by the manufacturer.

**e)** Removal of decals or warning labels regarding emissions or safe vehicle operation. **ANY DAMAGE RESULTING FROM THE REMOVAL OF THE DECALS AND/OR THE WARNING LABELS WILL NOT BE COVERED BY THE TERMS OF THE MOTO GUZZI LIMITED WARRANTY FOR NEW VEHICLES.** Besides, many countries may refuse to grant registration of a vehicle that does not have the necessary emission and/or safety warning labels if these are not regularly attached to the vehicle. The vehicle owner must consider that Piaggio Group Americas, Inc. / Moto Guzzi USA will not recognise any warranty if the vehicle or any of its components is damaged or

defective due to negligence, improper maintenance, unauthorized modifications, use in organised or non-organised competitions or in events such as Track Days.

#### **IMPORTANT**



**THIS PRODUCT SHOULD BE REPAIRED OR REPLACED IF THE NOISE FROM THE VEHICLE INCREASES SIGNIFICANTLY DURING USE. OTHERWISE, THERE WILL BE SANCTIONS IMPOSED AGAINST THE OWNER IN ACCORDANCE WITH STATE OR LOCAL LAWS.**

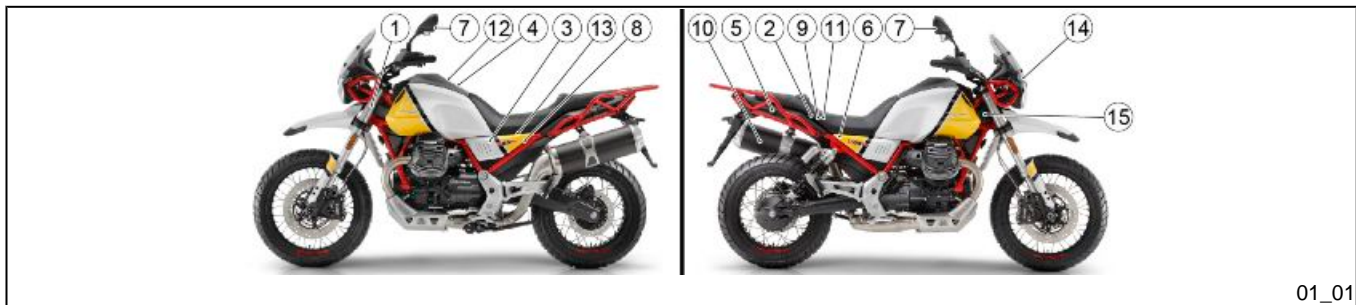
### **Problems that May Affect the Motorcycle Emissions**

If one of the following symptoms are experienced, have the vehicle checked and repaired immediately by your local **Moto Guzzi** dealer.

#### **Symptoms:**

- Difficulty starting or stalling after starting.
- Ignition failure or early ignition during acceleration.
- Combustion delay (early ignition).
- Poor engine performance, reduced handling or excessive fuel consumption.

### **Position of the Warning Labels (01\_01)**



01\_01

## Label 1 (01\_02, 01\_03)

<input type="checkbox"/> MFD BY MOTO GUZZI DIVISION OF PIAGGIO & C. S.p.A.  THIS VEHICLE CONFORMS TO ALL APPLICABLE U.S. FEDERAL MOTOR VEHICLE SAFETY STANDARDS IN EFFECT ON THE DATE OF MANUFACTURE SHOWN ABOVE	<input type="checkbox"/> GVWR ??? KG (??? LB) GAWR ? ??? KG (??? LB) WITH ????? - ??? ??? TIRE AND ? ?? x ? ? MT DOT RIM AT ??? NOM.(? PSI) COLD GAWR R. ??? KG (??? LB) WITH ????? - ? ?? ??? TIRES AND ? ?? x ? ? MT DOT RIM or ? ???? - ??? ??? TIRE AND ? ?? x ? ? MT DOT RIM AT ??? NOM.(? PSI)
VIN: <input type="text"/>	
<input type="checkbox"/> TYPE: MOTORCYCLE <input type="checkbox"/>	

**USA**

01\_02

○	MFD BY / FABRIQUE PAR:	○	MOTO GUZZI DIVISION	○
	<input type="text"/>		OF PIAGGIO & C. S.p.A.	
<small>           GAWR / PNEU: ??? KG            FRONT / AVANT GAWR / PNEU: ??? KG            REAR / ARRIERE GAWR / PNEU: ??? KG            THIS VEHICLE CONFORMS TO ALL APPLICABLE STANDARDS PRESCRIBED UNDER THE CANADIAN MOTOR VEHICLE SAFETY REGULATIONS IN EFFECT ON THE DATE OF MANUFACTURE. CE VEHICULE EST CONFORME A TOUTES LES NORMES QUI LUI SONT APPLICABLES EN VERTU DU REGLEMENT SUR LA SECURITE DES VEHICULES AUTOMOBILES DU CANADA EN VIGUEUR A LA DATE DE SA FABRICATION.         </small>				
VIN / NIV: <input type="text"/>				
○	TYPE: MC	○	.???	○

**CDN**

01\_03

Label 2 (01\_04)


HOSE ROUTING DIAGRAM EVAP FAMILY: ?????????????? MOTO GUZZI DIVISION OF PIAGGIO & C. S.p.A. -???-
<p><b><u>CARBON CANISTER</u></b> <b><u>SCHEME</u></b></p>




01\_04

Label 3 (01\_05)

**⚠ WARNING!**

Do not use any tire other than those recommended and approved by Moto Guzzi. Maintain proper tire inflation. Do not use any tire with less than 1/8" (3mm) tread remaining. Do not repair any tire, nor use a repaired tire. Do not ride your motorcycle overloaded or with an unbalanced load. Failure to follow these warnings can lead to an accident and serious injuries or death. See owner's manual.

-???-  MOTO GUZZI

	Tires pressure (PSI - (kg))		Tires size	Front tire		
	Front tire	Rear tire				
	???	???	}	??????	{	
	(??)	(??)		??????		?????? ??' ??
				??????		
	???	???	}		{	
	(??)	(42)				Rear tire
				??????		?????? ??' ??
	???	???	}	??????	{	
	(??)	(??)				??????
				??????		??????

01\_05

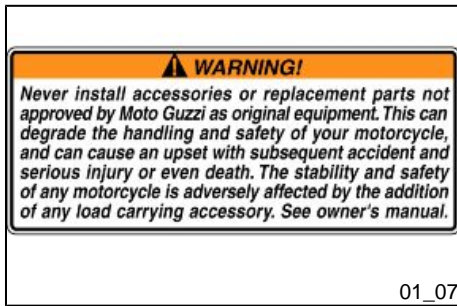
Label 4 (01\_06)

**⚠ WARNING!**

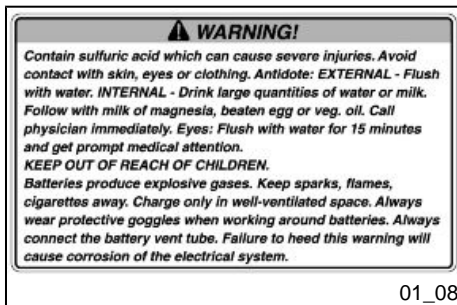
**DO NOT ALLOW KEY CHAIN AND ANY OTHER ITEM TO FALL BETWEEN THE STEERING HEAD AND THE BODY OF MOTORCYCLE. THIS CAN CAUSE LOSS OF CONTROL.**

01\_06

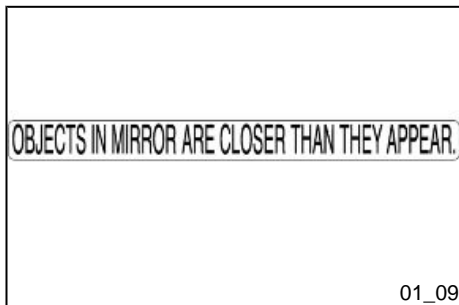
Label 5 (01\_07)



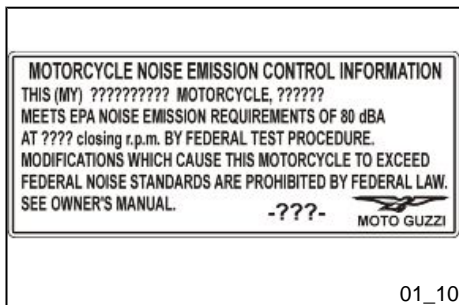
Label 6 (01\_08)



**Label 7 (01\_09)**



**Label 8 (01\_10)**



<b>VEHICLE EMISSION CONTROL INFORMATION</b> ENGINE DISPLACEMENT: ??? cc ENGINE FAMILY: ?????????? PERMEATION FAMILY: ?????????? THIS VEHICLE CONFORMS TO U.S. EPA AND CALIFORNIA REGULATIONS APPLICABLE TO ??? MODEL YEAR NEW MOTORCYCLES AND IS CERTIFIED TO ?? HC+NOx G/KM ENGINE FAMILY EXHAUST EMISSION STANDARD. ENGINE EXHAUST CONTROL SYSTEM: ?????		PIAGGIO GROUP AMERICAS, Inc.
ENGINE TUNE UP SPECIFICATIONS IGNITION TIMING: ??° ± ?° AT ???? RPM IDLE SPEED: ??? ± ??? RPM IN NEUTRAL VALVE CLEARANCE: INLET ????±?.??? inch (??.??±?.?? mm) OUTLET ????±?.??? inch (??.??±?.?? mm) SPARK PLUG: ????? FUEL: MINIMUM OCTANE RATING (M+R)/2 METHOD 90 OIL: ENGINE OIL VISCOSITY SAE ??-??		
MOTO GUZZI DIVISION OF PIAGGIO & C. S.p.A. V. le Rinaldo Piaggio, 25 56025 Pontedera (PI) ITALY		 MOTO GUZZI

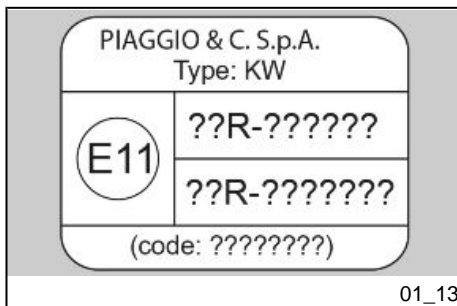
01\_11

Label 9 (01\_11)

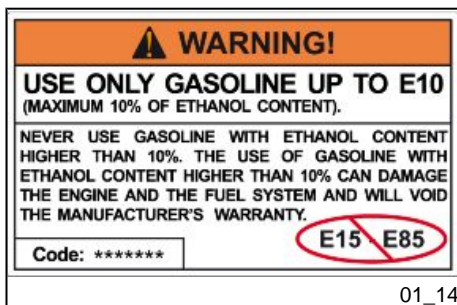
## Muffler stamping

01\_12

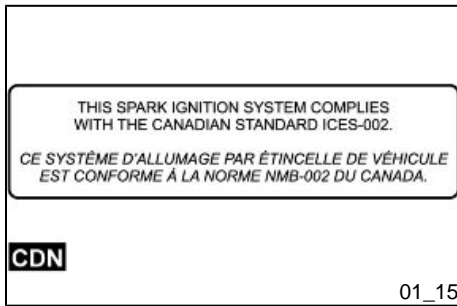
Label 10 (01\_12)



Label 11 (01\_13)

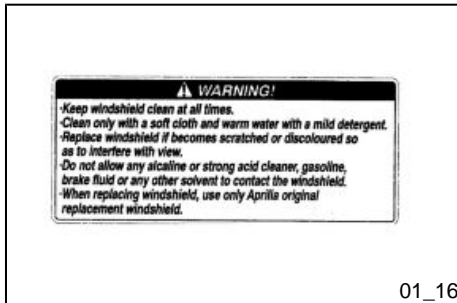


Label 12 (01\_14)



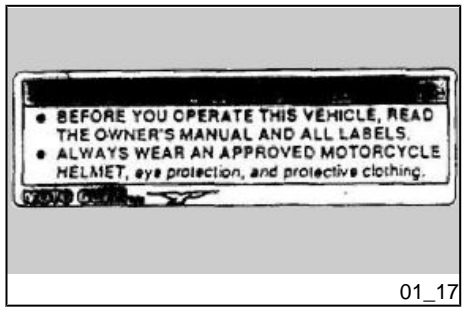
### Label 13 (01\_15)

- Plate only on the Canada version vehicle.

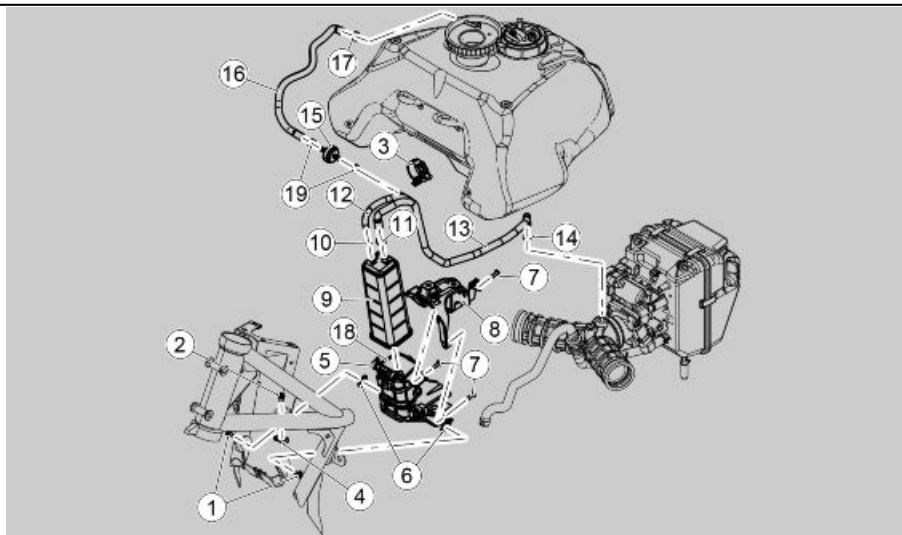


### Label 14 (01\_16)

**Label 15 (01\_17)**



**Evaporative emissions control system (01\_18)**



01\_18

**Key:**

1. TBEI flanged screw M5x12
2. M6x16 Flanged hex cap screw
3. Pipe/cables return clip
4. Elastic plate M6
5. Support bracket
6. Clip M5
7. Flanged cross-head SWP screw M5x20
8. Upper bracket
9. Canister
10. Pipe clamp
11. 15,5x6.6 D. click clamp
12. Canister / valve pipe
13. Admission joint canister pipe

14. Clamp 12.5x8
15. Safety valve
16. SAE 30 pipe, diam.12.7x6.35
17. White snap-on clamp diam. 13x6
18. Clamp 3,6x375
19. Pipe clamp

## Manufacturer's Warranty Coverage

Class I motorcycles (3.05 - 10.31 cu in) (50 - 169 cc): for a period of use of five (5) years or 7.457 mi (12000 km) whichever is sooner.

Class II motorcycles (10.37 - 17.03 cu in) (170 - 279 cc): for a period of use of five (5) years or 11.185 mi (18000 km) whichever is sooner.

Class III motorcycles (17.09 cu in and higher) (280 cc) : for a period of use of five (5) years or 18.641 mi (30.000 km) whichever is sooner.

If an emissions-related component on your motorcycle is defective, it will be repaired or replaced by **Moto Guzzi**. This is your WARRANTY FOR DEFECTS of the emission control system.

### **Moto Guzzi - STATEMENT OF LIMITED WARRANTY ON THE EMISSION CONTROL SYSTEM (FOR US MARKET ONLY)**

**Piaggio & C. S.p.A.**, Via E. V. Parodi, 57, 23826 Mandello del Lario (LC) Italy (hereinafter referred to as "**Moto Guzzi**") guarantees that all new **Moto Guzzi** motorcycles from 1999 and later which include as standard the headlight, the taillight and the brake lights are approved for road use:

**a)** have been designed, constructed and equipped to comply with all applicable regulations at the time of initial public sale by the United States Environmental Protection Agency and the California Air Resources Board;

and

**b)** are free from defects in material and workmanship that could result in non-compliance with the regulations in force of the United States Environmental Protection Agency or the California Air Resources Board for a period of use, based on the engine displacement, of 3.728 mi (6.000 km), if the engine displacement is less than 3.05 cu in (50 cc); 7.457 mi (12.000 km), if the engine displacement is less than 10.37 cu in (170 cc); 11.185 mi (18.000 km), if the engine displacement is equal to or greater than 10.37 cu in (170 cc), but in any case less than 17.09 cu in (280 cc); or 18.641 mi (30.000 km), if the engine displacement is equal to or greater than 17.09 cu in (280 cc); or 5 (five) years from the date of the initial public sale, whichever is sooner.

## Owner's Warranty Responsibilities

- As the owner, you are responsible for carrying out the scheduled maintenance indicated in your use and maintenance manual. **Moto Guzzi** recommends that you keep all receipts relating to the maintenance of your motorcycle even if **Moto Guzzi** cannot deny the warranty solely for lack of receipts or proof that the entire scheduled maintenance has been carried out.
- It is your responsibility to have your motorcycle checked by a **Moto Guzzi** dealer as soon as a problem occurs. Warranty repairs should be completed within a reasonable period of time, not exceeding 30 days.
- As owner of the motorcycle, you should be aware that **Moto Guzzi** may deny the warranty if your motorcycle or component is found to be defective as a result of violations, negligence, improper maintenance or unauthorised modifications.

If you have any questions regarding your warranty rights and responsibilities, please contact **Piaggio Group Americas, Inc.**, 257 Park Avenue South, 4th Floor New York, NY 10010, U.S.A., Telephone number: (212) 380 4400, or **California Air Resources Board** at P.O. Box 8001, 9528 Telstar Avenue, El Monte, CA 91734- 8001.

## I - Coverage.

Defects under warranty must be repaired during normal business hours by an Official **Moto Guzzi** Dealer based in the United States of America in accordance with the Clean Air Act and applicable regulations of the United States Environmental Protection

Agency and California Air Resources Board. All components replaced under this warranty will become the property of **Piaggio Group Americas, Inc.**

Only in the State of California, emission-related warranty parts are specifically defined by the state's Emission Warranty Parts List. The components under warranty are as follows: carburettor and internal components; intake bellow; fuel tank; fuel injection system; ignition advance mechanism; crankcase breather; air shut-off valves; fuel cap for vehicles with evaporative emissions control; oil filler cap; pressure control valve; vapour/fuel separator; canister; igniter; switch regulators; ignition coils; ignition cables; ignition points; capacitors and spark plugs that are defective before the first scheduled replacement; and pipes, clamps, fittings and tubing used directly on these components. Since emission related components vary from model to model, some models may not have all of these components and other models may have components with equivalent operation.

Only in the State of California, emergency repairs of the emission control system, as required by the California Administrative Code, may be carried out by third parties other than an Official **Moto Guzzi** Dealer. An emergency situation is considered a situation in which a **Moto Guzzi** Official Dealer is not available, a component is not available or cannot be found within 30 days, or the repair is not completed within 30 days. In case of emergency repairs, any spare part can be used. **Piaggio Group Americas, Inc.** will reimburse the owner's expenses, including the diagnosis, without exceeding the **Moto Guzzi** suggested retail price for all parts under warranty replaced and for labour costs, based on the times recommended by **Moto Guzzi** for repairs under warranty and at the hourly rate specified for the geographical area. The owner may be required to keep receipts and defective parts for reimbursement.

## II - Limitations

The Emission Control System Warranty does not cover the following:

**a)** Repairs or replacements necessary as a result of:

- (1) accidents,
- (2) improper use,
- (3) improperly performed repairs or replacements with incorrect installation,

- (4) use of spare parts or accessories that do not comply with Moto Guzzi specifications which could adversely affect the performance,
  - (5) use in competition, Track Days and other similar events.
- b)** Checks, replacement of components or other services and adjustments necessary for scheduled maintenance.
- c)** Any motorcycle on which the odometer mileage has been changed in such a way that the actual mileage can no longer be readily established.

### III – Limited liability

**a) Moto Guzzi's** liability under the emissions control system warranty is limited exclusively to the removal of defects in material or workmanship through a **Moto Guzzi** Official Dealer at its company headquarters during normal working hours. This warranty does not include inconveniences or inability to use the motorcycle or transportation of the motorcycle to/from the **Moto Guzzi** dealer.

**Piaggio Group Americas, Inc.** WILL BE DEEMED FREE FROM ANY OTHER EXPENSES, LOSS OR DAMAGES, DIRECT, INDIRECT, CASUAL OR PUNITIVE, ARISING FROM THE SALE OR USE OR IMPOSSIBILITY OF USE OF THE **Moto Guzzi** MOTORCYCLE FOR ANY PURPOSE. SOME STATES DO NOT ALLOW THE EXCLUSION OR LIMITATION FOR INCIDENTAL OR INDIRECT DAMAGES AND SO THE ABOVE LIMITATIONS MAY NOT APPLY TO YOU.

**b)** EMISSIONS EXPRESSED BY **Moto Guzzi and/or Piaggio Group Americas, Inc.** EXCEPT AS SPECIFICALLY DEFINED IN THIS DOCUMENT. ANY WARRANTY REGARDING THE EMISSION CONTROL SYSTEM IMPLIED BY LAW, INCLUDING ANY WARRANTY OF MERCHANTABILITY OR SUITABILITY FOR A PARTICULAR USE, IS LIMITED TO THE TERMS OF THE EMISSION CONTROL SYSTEM WARRANTY SET OUT IN THIS WARRANTY. THESE WARRANTY STATEMENTS EXCLUDE AND REPLACE ANY OTHER RIGHTS OF COMPENSATION. SOME STATES DO NOT ALLOW LIMITATIONS ON THE DURATION OF THE IMPLIED WARRANTY AND SO THE ABOVE LIMITATIONS MAY NOT APPLY TO YOU.

**c)** No dealer is authorised to modify the warranty on the **Moto Guzzi** emission control system.

## IV - Legal rights

THIS WARRANTY GIVES YOU SPECIFIC LEGAL RIGHTS AND ANY OTHER RIGHTS WHICH MAY VARY IN DIFFERENT STATES.

## V - This warranty is in addition to the manufacturer limited vehicle warranty

THIS WARRANTY INTEGRATES THE MOTORCYCLE LIMITED WARRANTY **Moto Guzzi**.

## VI - Additional information

Any spare parts with equivalent performance and durability can be used to carry out any maintenance repairs. However, Moto Guzzi assumes no responsibility for these parts. The owner is responsible for carrying out all scheduled maintenance. This maintenance can be carried out by an authorized **Moto Guzzi** dealer or by the owner himself. The warranty period start at the first date of delivery to a retail client.

### **Piaggio & C. S.p.A.**

via G. Galilei, 1

30033 Noale (VE) Italy

### **Piaggio Group Americas, Inc.**

257 Park Avenue South, 4th Floor

New York, NY 10010 U.S.A.

Telephone number: (212) 380 4400

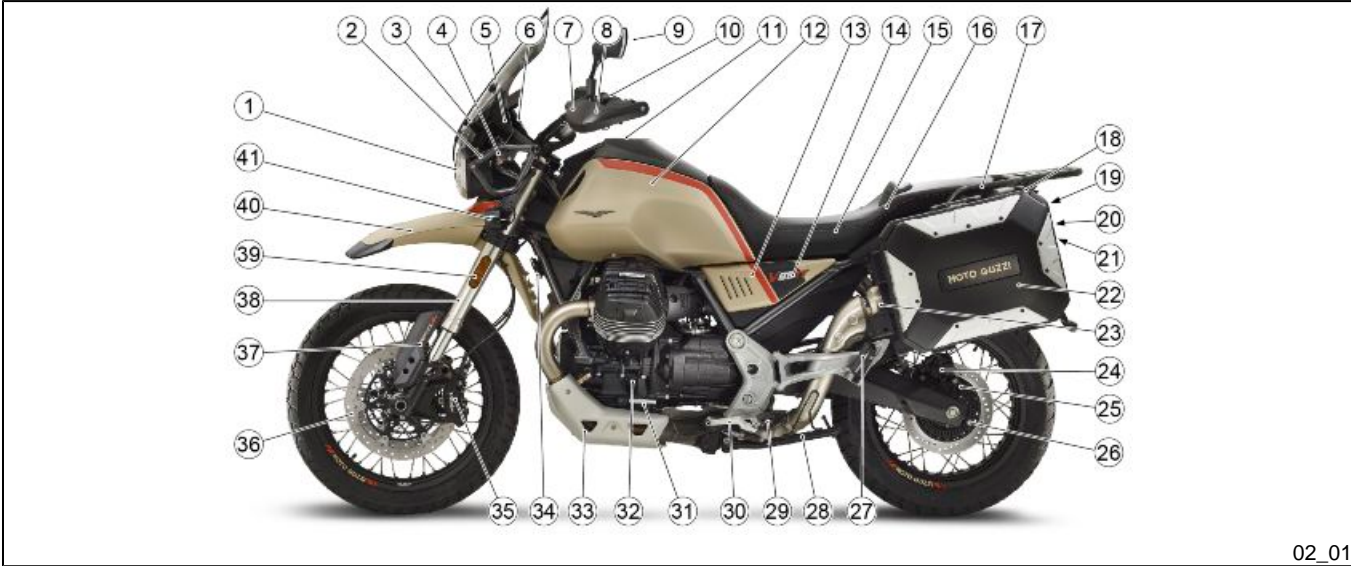


# V85 TT - V85 TT Travel E5



**Chap. 02**  
**Vehicle**

Arrangement of the Main Components (02\_01, 02\_02)



02\_01



02\_02

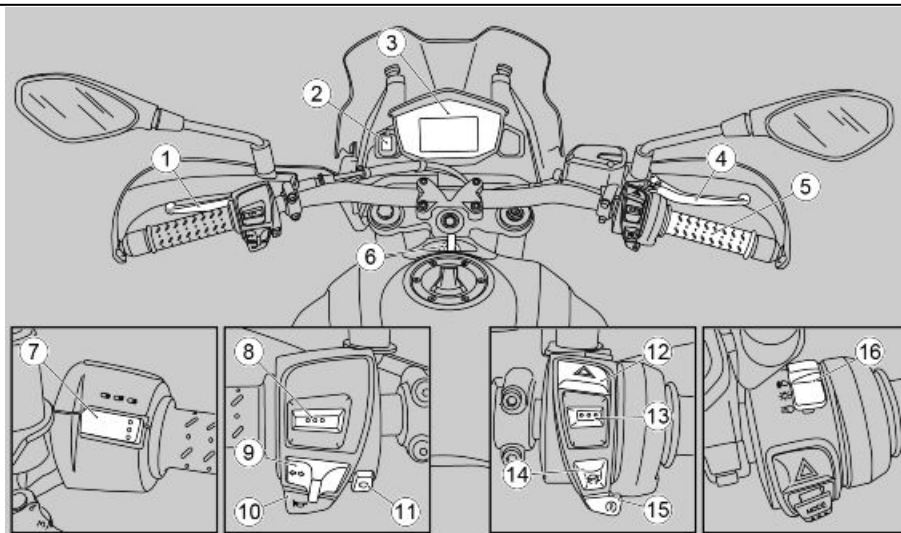
**Key:**

1. Headlamp
2. Headlamp support frame
3. Adjustable windscreen
4. Front left turn indicator
5. USB port
6. Instrument panel
7. Left hand guard
8. Clutch lever
9. Left rear-view mirror
10. Left light switch
11. Fuel tank cap
12. Fuel tank
13. Air filter

14. Left side fairing
15. Main fuses
16. Two-seater saddle
17. Accessory support frame
18. Taillight
19. Seat lock
20. Licence plate light
21. Rear left turn indicator
22. Left case (if fitted)
23. Silencer
24. Rear brake calliper
25. Rear tone wheel sensor
26. Rear tone wheel
27. Passenger left footrest
28. Side stand
29. Left rider footrest
30. Gear shift lever
31. Engine oil level inspection port
32. Engine oil filler plug
33. Sump guard
34. Horn
35. Front left brake calliper
36. Left front brake disc
37. Left stanchion guard
38. Left fork stanchion
39. Left hand reflector
40. Front mudguard
41. Left fog light (if fitted)
42. Rear right turn indicator
43. Secondary fuses
44. Right side fairing
45. Accelerator control
46. Right light switch
47. Right rear-view mirror
48. Front brake lever
49. Right hand guard
50. Front right turn indicator
51. Right fog light (if fitted)

52. Right hand reflector
53. Right fork stanchion (adjustable)
54. Front tone wheel
55. Front tone wheel sensor
56. Front right brake calliper
57. Rear brake oil tank
58. Rear brake lever
59. Right rider footrest
60. Rear shock absorber (adjustable)
61. Right passenger footrest
62. Right case (if fitted)

## **Dashboard (02\_03)**



02\_03

**Key:**

1. Clutch control lever
2. USB port
3. Instruments and gauges
4. Front brake lever
5. Throttle grip
6. Ignition switch /steering lock
7. Passing / high beam light switch
8. Cruise Control button
9. Flasher switch
10. Horn button
11. Heated hand grips
12. Hazard lights activation switch
13. MODE selector switch

14. Motor cut-out switch
15. Starter button
16. Switch for DRL / side lights / additional headlight



## Instrument panel (02\_04, 02\_05)

### Key:

1. Multifunctional digital display box.
2. Indicator lights.

The dashboard has an immobilizer system which prevents start-up in case the system does not identify a key which has been stored before.

The vehicle is delivered to the customer with two pre-programmed keys. The dashboard accepts a maximum of four keys at the same time: contact an Official **Moto Guzzi** dealer to enable these keys or to disable a key that has been lost. Upon vehicle delivery, approximately ten seconds after the key is set to ON, the instrument cluster requests a personal five-digit code to be entered.

To enter the personal code, refer to chapter "Advanced functions"

On the leftmost value of the display, a variable value is shown that can be modified from 0 to 9, by using the MODE selector. Press the centre of the MODE selector to confirm each of the five digits. Once confirmed, the display shows the code in a fixed manner, this is so the user can check the code that has been entered. To remove the screen showing the code that has been entered, carry out a KEY OFF- KEY ON cycle. In the future you can always change the last code entered. This request message is no longer displayed once the personal code is entered.

It is important to remember the personal code because:

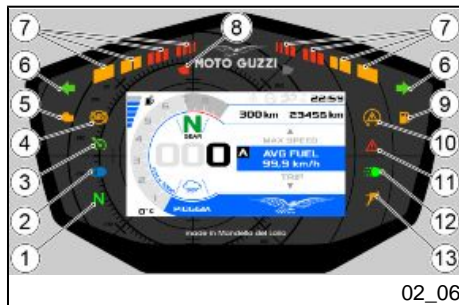
- the vehicle can be started if the immobilizer system is faulty
- the dashboard need not be replaced should the ignition switch be changed
- new keys can be programmed

#### NOTE

IF THE PERSONA CODE IS NOT MEMORISED AND THE VEHICLE IS USED, THE MESSAGE DISAPPEARS AFTER 10 SECONDS BUT REAPPEARS WITH EACH KEY ON.

#### NOTE

THE FACTORY SET CODE IS COMPOSED OF FIVE ZEROES.



### Light Unit (02\_06)

Key:

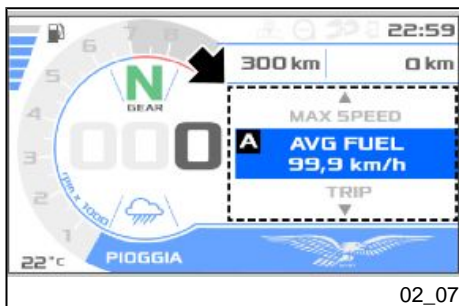
1. Neutral indicator lamp, green.
2. High beam indicator lamp, blue.
3. Cruise control indicator lamp, green.
4. ABS Warning Light, orange.
5. MI warning light, orange.
6. Turn indicator warning light, green.
7. Overspeed threshold/gear shift indicator light, white/orange/red; MGCT indicator lamp, orange
8. Immobilizer indicator lamp, red.
9. Low fuel warning light, orange.
10. MGCT indicator light, orange.
11. General warning light, red.
12. DRL on indicator lamp, green.
13. Side stand warning light, orange.

## Digital LCD Display (02\_07, 02\_08, 02\_09, 02\_10, 02\_11, 02\_12, 02\_13, 02\_14, 02\_15)

### NOTE

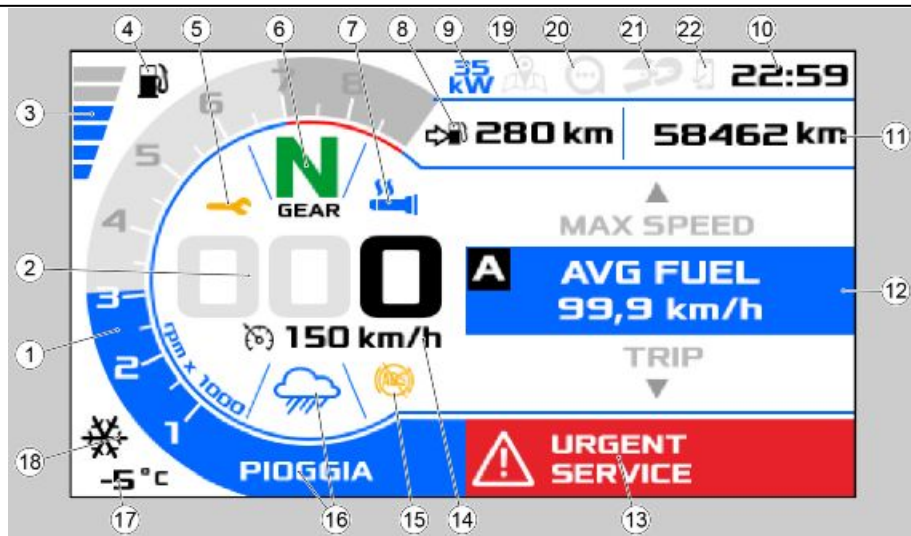
THE DASHBOARD IS PROVIDED WITH A TWILIGHT SENSOR THAT, BASED ON THE AMBIENT LIGHTING, CAN PASS FROM DAYLIGHT MODE TO NIGHT TIME MODE, CHANGING THE COLOUR OF THE BACKGROUND WHEN "AUTO" (AUTOMATIC) MODE IS SET IN THE ADVANCED FUNCTIONS.

- Turning the ignition switch to 'KEY ON', the following illuminate on the dashboard for about two seconds:
  - A dynamic graphic presentation.
  - All indicator lights on.



Using the MODE selector it is possible to move between the various information available in the "trip journal".

The following information can be seen in the digital display



02\_08

**Key:**

- 1) Engine revs (rpm x 1000).
- 2) Speed (speedometer) (displayed in mph or km/h).
- 3) Fuel gauge.
- 4) Reserve fuel symbol.
- 5) Maintenance icon.
- 6) Gear selected (displayed only with engine running and vehicle moving)
- 7) Heated handles (if present)

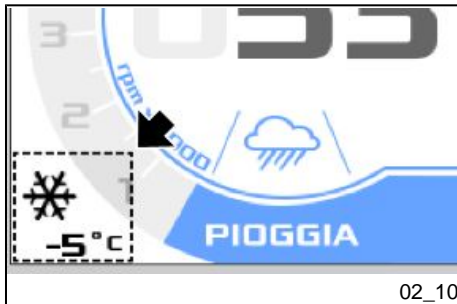
- 8) Remaining range in miles or Km.
  - 9) Presence of underpowered map indicator (35kW).
  - 10) Clock (can be displayed both in 24H mode, as well as 12H mode without AM / PM indicated).
  - 11) Odometer.
  - 12) Journal of the trip computer.
  - 13) Information pop-up.
  - 14) Cruise control.
  - 15) ABS system indicator only on front wheel in the "OFF ROAD" mode only.
  - 16) Riding mode selected.
  - 17) Ambient temperature (can be displayed in °C or in °F).
  - 18) Ice hazard icon (displayed at temperatures from 5°F (-15°C) to 37.4°F (3°C)) / Low battery voltage warning icon (voltage too low between poles) / TPMS indicator (tyre pressure warning)(where foreseen);
- If the MGMP ECU is fitted:**
- 19) GPS/Navigator (where active)
  - 20) Data transmission with smartphone.
  - 21) Rider/passenger intercom.
  - 22) Audio transmission with smartphone for calling, sending vocal commands and playing music.



### MAINTENANCE ICON

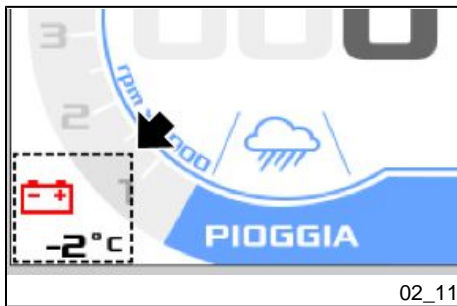
When a maintenance interval threshold is exceeded, an icon with a spanner is shown.

This indicator may be reset once the scheduled service has been completed by an **authorised Moto Guzzi Dealer or service centre**.



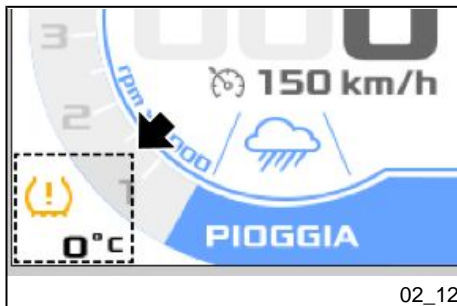
### ICE HAZARD WARNING

When the outside temperature is less than or equal to 37.4° C (3° F), down to a minimum of 5° C (-15° F), the ice alarm symbol appears on the display, alternating with the battery alarm (if active ) or TPMS (if active).



### LOW BATTERY WARNING

The battery icon appears at the bottom left of the digital display in the event of a problem relative to the battery charging system, alternating with the ice warning alarm (if active) or TPMS (if active).



02\_12

### TPMS WARNING (Tyre Pressure Measurement System) (where foreseen)

When the vehicle is turned on (Key ON) the TPMS symbol flashes, when both sensors are recognized, the symbol turns off.

The recognition of the sensors takes place via radio frequency transmission and requires a short period of time for the value to be visible on the display.

In the event of a system or pressure reading anomaly (too high or too low) the icon will remain on steady and the screen will switch to displaying the pressures.

#### NOTE

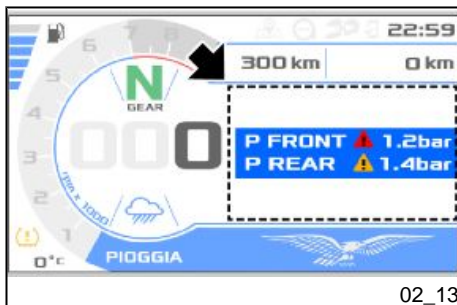
**IF AN ALARM IS ACTIVE (ICE / BATTERY) THE TPMS DOES NOT FLASH (IT HAS A LOWER PRIORITY)**

#### NOTE

**A FEW SECONDS MAY PASS BETWEEN THE CHANGE IN PRESSURE AND INDICATION ON THE INSTRUMENT PANEL.**

#### NOTE

**THE ALARM SIGNAL DISAPPEARS ONCE THE PRESSURE HAS BEEN CORRECTED.**



02\_13

#### Icons key:

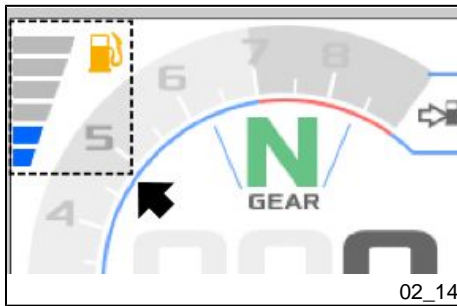
Red icons: Excessive or insufficient pressure (above or below a specific range)

Orange icons:

1. Pressure warning (below a specific value)
2. Reading system malfunction.

#### IMPORTANT

**THE MALFUNCTION IS HIGHLIGHTED ON THE DIGITAL DISPLAY BY THE SYMBOLS "-." OR "-" IN REPLACEMENT TO THE PRESSURE VALUE.**



## FUEL LEVEL

The fuel level in the tank is represented on the display by a number of bars.

When the fuel level drops below the third bar, the symbol on the digital display changes colour to orange and the reserve fuel warning lamp illuminates.

### NOTE

**IF THE RESERVE FUEL WARNING LAMP FLASHES AT KEY-ON, THIS INDICATES THAT THE FUEL LEVEL SENSOR IS FAULTY.**

**IN THE EVENT OF A FUEL LEVEL SENSOR FAILURE OCCURRING WHILE THE VEHICLE IS IN USE, THE LEVEL INDICATOR BARS WILL NO LONGER BE SHOWN ON THE DIGITAL DISPLAY. IN THIS CASE, TAKE THE VEHICLE TO AN Official Moto Guzzi Dealership.**

### NOTE

**THE INDICATED FUEL LEVEL MAY VARY AND NOT BE DISPLAYED ACCURATELY IF THE MOTORCYCLE IS INCLINED (E.G. WHEN THE MOTORCYCLE IS PLACED ON THE SIDE STAND, OR IF VEHICLE IS RIDDEN ON LONG STRETCHES OF UPHILL OR DOWNHILL ROAD).**



With the key set to "KEY OFF" the general alarm warning light flashes to indicate activation of the locking system. To reduce battery consumption the light stops flashing after about 48 hours.

## Alarms (02\_16, 02\_17, 02\_18, 02\_19, 02\_20, 02\_21, 02\_22, 02\_23)

In the event of a fault, the digital display will show the cause.

Take your vehicle to an Official **Moto Guzzi** Dealer as soon as possible.

### SERVICE ALARM

In case of failure found in the dashboard or in the electronic control unit, the dashboard signals the failure by displaying the word SERVICE and the red general warning light turns on.



02\_16

If there is an immobilizer failure at ignition, the dashboard requests you to enter a user code. If the code is entered correctly, the dashboard signals the failure by displaying the word SERVICE and the red general warning light turns on.

### URGENT SERVICE ALARM

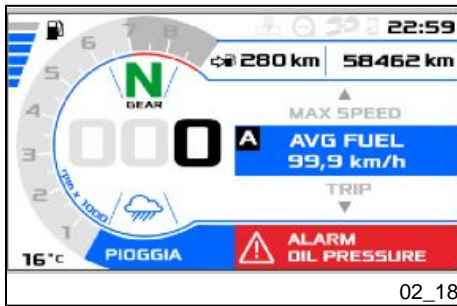
A serious failure is signalled by a fast flashing (two flashes per second) of the general warning light and by the words URGENT SERVICE on the digital display. See an Official **Moto Guzzi** Dealer as soon as possible. In these cases, the ECU activates a safety procedure limiting vehicle performance in order to allow the rider to go to an Official **Moto Guzzi** Dealer at a reduced speed. Depending on the type of failure, performance can be limited in three ways: a) by reducing the maximum torque produced; b) by keeping the engine at idle speed but slightly accelerated (during this operation, the throttle control is disabled); c) the engine rpm is steady at around 3000 rpm; Under these conditions the throttle control provides limited management of the torque.

### NOTE

**THE PRESENCE OF THE "URGENT SERVICE" ERROR ON THE DIGITAL DISPLAY IS ACCOMPANIED BY THE FLASHING OF THE FOUR ARROWS FOR 30 SECONDS TO WARN THE VEHICLES BEHIND OF A POSSIBLE DANGEROUS SITUATION, UNTIL THE TURN INDICATOR IS ACTIVATED TO ALLOW THE DRIVER TO PULL OVER .**



02\_17



### Oil failure

If a fault is detected with the oil pressure, the digital display shows "ALARM OIL PRESSURE".

#### IMPORTANT

**THE SIGNAL IS ACCOMPANIED BY THE RED GENERAL WARNING LIGHT FLASHING.**



**STOP THE VEHICLE AND CONTACT AN Approved Moto Guzzi dealer AS SOON AS POSSIBLE.**



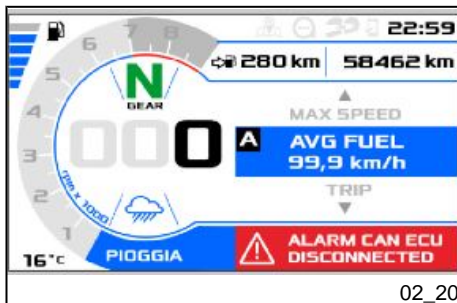
If a fault is detected with the oil pressure sensor, the digital display shows "ALARM OIL SENSOR"

#### IMPORTANT

**THE SIGNAL IS ACCOMPANIED BY THE RED GENERAL WARNING LIGHT TURNING ON.**

#### WARNING

**TAKE YOUR VEHICLE TO AN Official Moto Guzzi Dealer AS SOON AS POSSIBLE.**



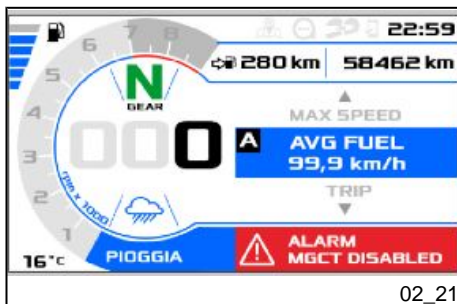
02\_20

### Electronic control unit disconnected alarm

In the event there is no connection, the instrument cluster signals the fault displaying "ALARM CAN ECU DISCONNECTED" and lighting up the general alarm red indicator light.

#### NOTE

**THE MESSAGE "ALARM CAN ECU DISCONNECTED" REMAINS ON THE DIGITAL DISPLAY AND THE HAZARD WARNING LIGHTS WILL CONTINUE TO FLASH (TO WARN OTHER ROAD USERS BEHIND THE VEHICLE OF POTENTIAL DANGER) UNTIL THE RIDER ACTIVATES THE RIGHT HAND TURN SIGNAL TO INDICATE THAT THEY ARE ABOUT TO PULL OVER AND STOP.**



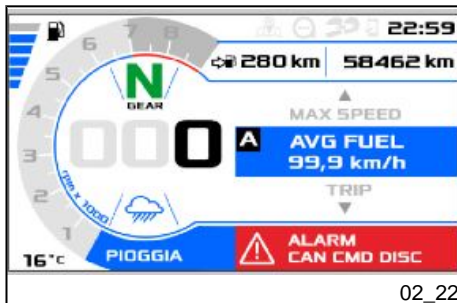
02\_21

### MGCT disabled alarm

The MGCT system disabling alarm is activated if there is a problem that can cause the system itself to be disabled.

#### WARNING

**DRIVE CAREFULLY AND CONTACT AN Official Moto Guzzi Dealer AS SOON AS POSSIBLE.**



02\_22

### CAN line disconnection from the light switch alarm

The alarm regarding the disconnection of the LH light switch interface line is activated when there may be a problem that causes the disabling of the light switch.

This error causes the malfunctioning of the arrows, cruise control and heated hand grips (if present).

#### IMPORTANT

**THE SIGNAL IS ACCOMPANIED BY THE RED GENERAL WARNING LIGHT TURNING ON.**



## WARNING

**DRIVE CAREFULLY AND CONTACT AN Official Moto Guzzi Dealer AS SOON AS POSSIBLE.**

### Immobilizer alarms

For immobilizer alarms, refer the specific paragraph "Immobilizer system operation". The error code may vary.

If there is an alarm, the user code must be entered to start the vehicle.

## IMPORTANT

**THE SIGNAL IS ACCOMPANIED BY THE RED GENERAL WARNING LIGHT TURNING ON.**

## WARNING

**DRIVE CAREFULLY AND CONTACT AN Official Moto Guzzi Dealer AS SOON AS POSSIBLE.**

### Mapping Selection (02\_24, 02\_25, 02\_26)

## IMPORTANT

**IN NAVIGATOR MODE THE DISPLAY OF THE ACTIVE "RIDING MODE" WILL NOT BE VISIBLE.**



The engine control unit has 5 different selectable "riding modes" for managing the electronic accelerator, displayed as follows in the lower left part of the digital display:

- **OFF ROAD (OFF ROAD)**
- **SPORT (SPORT)**
- **STRADA (ROAD)**
- **PIOGGIA (RAIN)**
- **CUSTOM (CUSTOM)**

The **ROAD** mode is designed for a touristic use of the vehicle.

The **SPORT** mode is designed for a more dynamic use of the vehicle.

The **CUSTOM** mode can be configured by the user, as shown in the "ADVANCED FUNCTIONS" section.



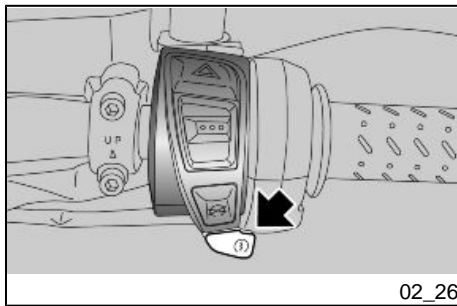
The **OFF ROAD** mode is not suitable for road use. It is designed for use on variable low-grip surfaces.

#### **IMPORTANT**

**THE USE OF THIS MODE IT IS RECOMMENDED ON LOW-GRIP SURFACES. IT IS RECOMMENDED FOR OFF-ROAD USE.**

**THE TRACTION CONTROL IS LITTLE INVASIVE.**

**ONLY IN THIS MODE DOES THE ABS SYSTEM STAY ACTIVE EXCLUSIVELY FOR THE FRONT WHEEL AND THE DEDICATED SYMBOL APPEARS ON THE DISPLAY TO REMIND THE RIDER TO TAKE PARTICULAR CARE.**



02\_26

The **RAIN** mode is designed for use of the vehicle on wet surfaces or in conditions of poor grip. The system provides the torque smoothly to prevent loss of grip. In this mode, the vehicle performance is limited, and therefore, the maximum speed cannot be reached.

**EVEN IN THIS MODE, ALWAYS USE PARTICULAR CAUTION WHEN RIDING IN POOR GRIP CONDITIONS.**

Passing through the various riding modes is carried out using the starter button that, 3 seconds after the engine has started, acquires the function of "Riding mode selection button".

**IMPORTANT**

**THE RIDING MODE SELECTION PROCEDURE IS ACTIVE ONLY WITH THE ENGINE STARTED AND THE THROTTLE RELEASED. THIS PROCEDURE CAN ALSO BE CARRIED OUT WITH THE MOTORCYCLE MOVING AND THE THROTTLE RELEASED.**

**RIDING MODES MAY ALSO BE PRESELECTED WHILE THE THROTTLE IS OPEN. IN THIS CASE, THE NEW MODE IS ONLY EFFECTIVELY IMPLEMENTED WHEN THE THROTTLE IS CLOSED AGAIN. THE ICON FLASHES WHEN A NEW MODE IS PRESELECTED AND PENDING IMPLEMENTATION.**

To change the riding mode proceed as follows:

- By pressing the button for the first time, the symbol of the riding mode currently applied will be flashing.
- pressing the button again within 1.5 seconds from the first time, the next riding mode selected will be flashing. If the button is not pressed again within 1.5 seconds (which would select the next available riding mode), and the throttle grip is not used, the new riding mode is shown in a fixed manner on the display, indicating that the new riding mode selection has been implemented.

**IMPORTANT**

**IF THE THROTTLE IS OPENED WHILE THE NEW RIDING MODE IS SHOWN IN FLASHING MODE ON THE DISPLAY (I.E. MODE IS PRESELECTED ONLY AND PENDING IMPLEMENTATION BY THE ECU), THE PRESELECTED NEW RIDING**

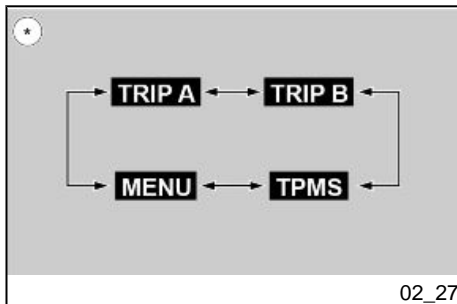
**MODE WILL NOT BE EFFECTIVELY IMPLEMENTED UNTIL THE THROTTLE GRIP IS RELEASED.**

**IF A NEW RIDING MODE IS SELECTED WHILE THE THROTTLE IS OPEN, THE NEW RIDING MODE REQUESTED WILL BE SHOWN IN FLASHING MODE UNTIL THE THROTTLE GRIP IS RELEASED.**

## Control Buttons (02\_27, 02\_28, 02\_29)

### CONTROL BUTTONS

- Push the "MODE" selector up or down to scroll through maps and view the map name on the display inside the trip journal.
- Long press the "MODE" selector in the middle to reset the data, except for the "FUEL" function.



### Trip journal A and B (Trip A and Trip B)

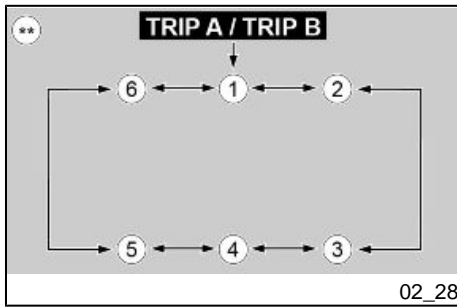
Two trip logs are available (\*).

Pressing the "MODE" selector in the middle, cycles through the TRIP JOURNAL A (TRIP A), the TRIP JOURNAL B (TRIP B), TPMS (if available) and the MENU.

In both trip modes, press the "MODE" selector up or down to cycle through the following information display modes (\*\*):

- (1) TRIP
- (2) FUEL
- (3) AVG FUEL
- (4) AVG SPEED
- (5) MAX SPEED
- (6) TIME

In all functions, a long press on the "MODE" selector in the middle resets the information stored in the active TRIP JOURNAL (TRIP) with the exception of the "FUEL" function.

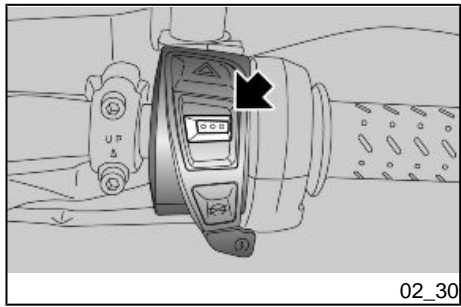


**Advanced Functions (02\_29, 02\_30, 02\_31, 02\_32, 02\_33, 02\_34, 02\_35, 02\_36, 02\_37, 02\_38, 02\_39, 02\_40, 02\_41, 02\_42, 02\_43, 02\_44, 02\_45, 02\_46, 02\_47, 02\_48, 02\_49, 02\_50, 02\_51, 02\_52, 02\_53, 02\_54, 02\_55, 02\_56, 02\_57, 02\_58, 02\_59, 02\_60, 02\_61, 02\_62, 02\_63, 02\_64, 02\_65, 02\_66, 02\_67, 02\_68, 02\_69, 02\_70, 02\_71, 02\_72, 02\_73, 02\_74, 02\_75, 02\_76, 02\_77, 02\_78, 02\_79, 02\_80)**

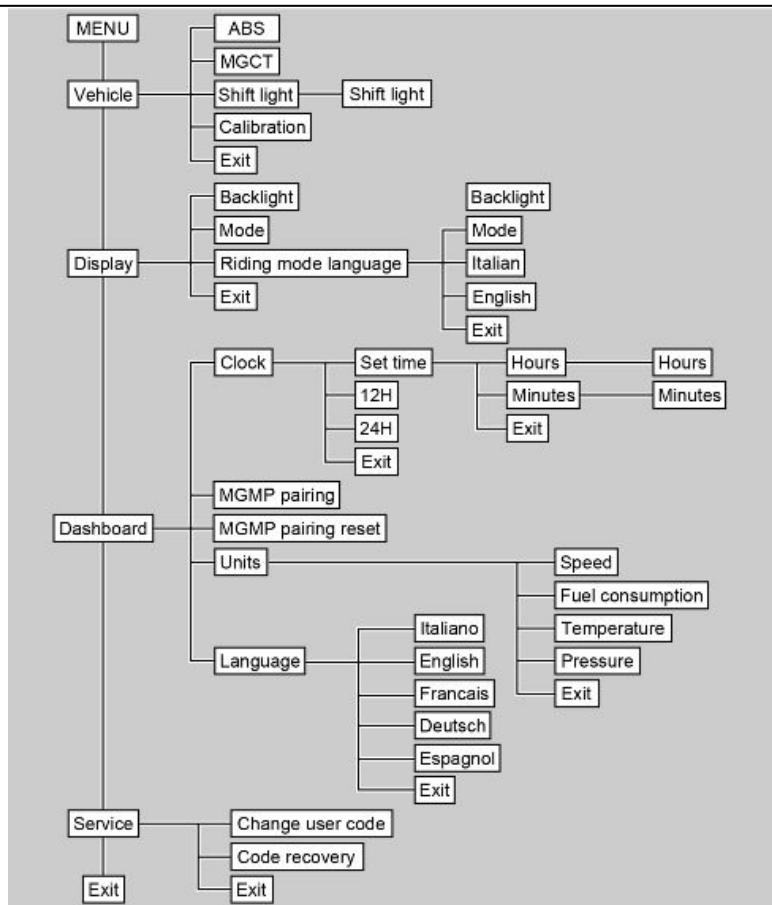
The advanced functions consist of two entries: **MENU** and **CUSTOM MODE**. It is possible to scroll between the two entries by shortly pressing the MODE button in the middle.

### **MENU**

After having been selected, the configuration menu can be immediately accessed, with the vehicle stationary, by long pressing the MODE selector in the middle directly from the main screen.



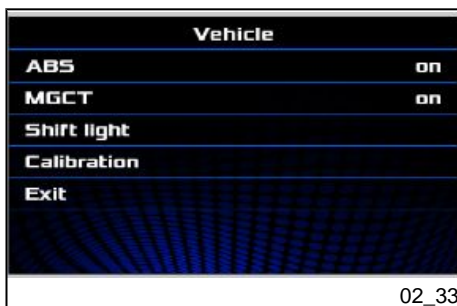
The flow diagram listed below shows the menu structure.





The menu is composed of the following entries:

- 1) Vehicle
- 2) Display
- 3) Instrument panel (Cruscotto)
- 4) Service (Service)
- 5) Exit (Esci)



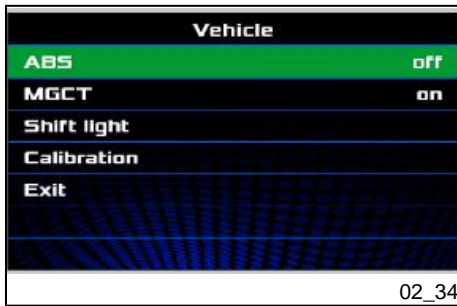
### 1) Vehicle

The "Vehicle" menu consists of the following entries:

- 1.1) ABS
- 1.2) MGCT (Moto Guzzi Traction Control)
- 1.3) Shift light (Shift light)
- 1.4) Calibration (Calibration)
- 1.5) Exit (Exit)

The functions of the "Vehicle" menu are described in the following paragraphs.

To return to the main "MENU", select "Exit" on the menu and press the MODE selector briefly in the middle.



### 1.1) ABS

This function allows you to disable the ABS system that is normally active "On".

Briefly pressing the MODE selector in the middle deactivates the function ("Off") and pressing it again reactivates it ("reactivate").

Disabling is possible only when the vehicle is in "OFF ROAD" mode. If the riding mode is changed, ABS reactivates.

To return to the "MENU", briefly press the MODE selector in the middle on "Exit"

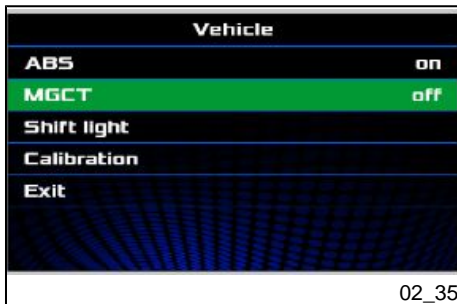
#### IMPORTANT

**IT IS DISABLED ONLY TEMPORARILY, WHEN THE KEY IS INSERTED THE SYSTEM IS ALWAYS ACTIVE.**

#### IMPORTANT

**DISABLING IS POSSIBLE ONLY WHEN THE VEHICLE IS IN "OFF ROAD" MODE. IF THE RIDING MODE IS CHANGED, ABS REACTIVATES.**

**IF DISABLED, THE ABS INDICATOR LIGHT STAYS ON STEADY.**



### 1.2) MGCT (Moto Guzzi Traction Control)

This function allows to disable the MGCT system that is normally active "On".

Briefly pressing the MODE selector in the middle deactivates the function ("Off") and pressing it again reactivates it ("reactivate").

To return to the "MENU", briefly press the MODE selector in the middle on "Exit"

#### IMPORTANT

**IT IS DISABLED ONLY TEMPORARILY, WHEN THE KEY IS INSERTED THE SYSTEM IS ALWAYS ACTIVE.**



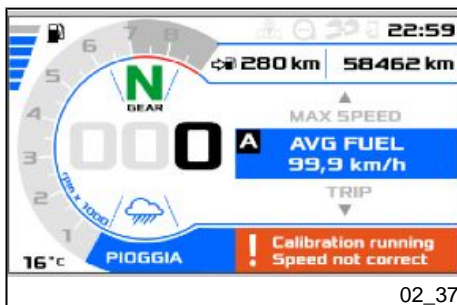
### 1.3) Shift light (Shift light)

This function allows you to set the rpm threshold that lights up the relative warning lights when exceeded.

Briefly pressing the MODE selector in the middle highlights the function in red and by moving it up or down it is possible to modify the threshold.

To exit the modification function, briefly press the MODE selector in the middle.

To return to the main "MENU", select "Exit" on the menu and press the MODE selector briefly in the middle.



### 1.4) Calibration (Calibration)

When the Calibration function is selected (with the vehicle at a standstill), a screen appears with the following description in the bottom right of the display:

Calibration running Speed not correct

#### IMPORTANT

**THE MGCT INDICATOR LIGHT TURNS ON TO INDICATE THAT THE SYSTEM IS DISABLED**



To calibrate the MGCT system (Moto Guzzi Control Traction) ride along a flat straight road in second gear at a speed of 18.64 +/- 1.24 mph (30 +/- 2 km/h) for approximately 10 seconds, until the digital display shows a message "Calibration running Hold speed".



If the calibration is successful, the following message will be displayed "Calibration done Key OFF".

#### NOTE

**WHEN THE "Calibration done Key OFF" SCREEN DISAPPEARS FROM THE DISPLAY, TO COMPLETE THE CALIBRATION PROCEDURE STOP THE VEHICLE AND SWITCH OFF THE PANEL FOR AT LEAST 60 SECONDS.**

**THIS ALLOWS THE CALIBRATION TO BE STORED IN THE MEMORY.**

#### NOTE

**THE CALIBRATION OPERATION IS USED TO OPTIMISE THE MGCT FUNCTION IN CASE OF A CHANGE IN TYRE TYPE.**

#### NOTE

**TURN THE IGNITION SWITCH OFF TO ABORT THE CALIBRATION PROCEDURE.**

**DURING CALIBRATION, THE MGCT SYSTEM IS AUTOMATICALLY REACTIVATED (IF PREVIOUSLY DEACTIVATED).**



## 2) Display

The "Display" menu consists of the following:

- 2.1) Backlight
- 2.2) Mode
- 2.3) Riding mode language
- 2.4) Exit

The functions of the "Display" menu are shown in the paragraphs below.

To return to the main "MENU", select "Exit" on the menu and press the MODE selector briefly in the middle.



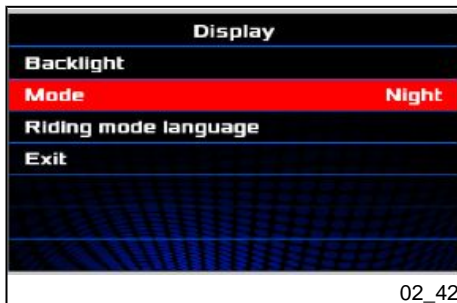
### 2.1) Backlight (Backlight)

This function allows you to change the backlight of the digital display, from a minimum value of 1 to a maximum value of 10.

Lightly pressing the middle of the MODE selector highlights the "Backlight" function in red. Briefly moving the MODE selector upward or downward, the intensity of the backlight increase or decreases.

Pressing the MODE selector again confirms the value selected and exits the modification function.

To return to the "Display" menu, select "EXIT" on the menu and press the MODE selector briefly in the middle.



### 2.2) Mode (Mode)

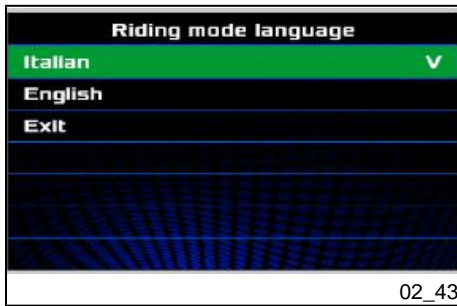
This function allows you to change the display mode of the digital display:

- AUTO.
- DAY (Day).
- NIGHT (Night).

Lightly pressing the middle of the MODE selector highlights the "Mode" function in red. Briefly shifting the MODE selector to the left or right, it is possible to select the preferred mode.

Pressing the MODE selector again confirms the selection and exits the modification function.

To return to the "Display" menu, select "EXIT" on the menu and press the MODE selector briefly in the middle.



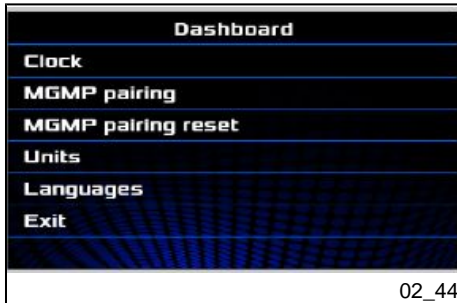
### 2.3) Riding mode language

This function allows to change the display language of the riding mode in the digital display:

- Italian.
- English.
- Exit.

Briefly moving the MODE selector up or down, the preferred language can be selected and confirmed with the side check mark "V".

To return to the "Display" menu, select "EXIT" on the menu and press the MODE selector briefly in the middle.



### 3) Instrument panel (Cruscotto)

The "Dashboard" menu consists of the following:

- 3.1) Clock (Clock).
- 3.2) MGMP pairing (MGMP pairing).
- 3.3) MGMP pairing reset.
- 3.4) Units (Units).
- 3.5) Languages (Languages).
- 3.6) Exit (Exit).

The functions of the "Dashboard" menu are shown in the paragraphs below.

To return to the main "MENU", select "Exit" on the menu and press the MODE selector briefly in the middle.



### 3.1) Clock (Clock)

The "Clock" menu is composed of the following:

3.1.1) Set time (Set time)

3.1.2) 12H

3.1.3) 24H

3.1.4) Exit (Exit)

The functions of the "Clock" menu are shown in the paragraphs below.

To return to the main "MENU", select "Exit" on the menu and press the MODE selector briefly in the middle.



#### 3.1.1) Set time (Set time)

This menu allows you to set the clock and is divided in turn into the following entries:

3.1.1.1) Hours (Hours)

3.1.1.2) Minutes (Minutes)

3.1.1.3) Exit (Exit)

The functions of the "Set time" menu are shown in the paragraphs below.

To return to the "Clock" menu, select "Exit" on the menu and press the MODE selector briefly in the middle.



### 3.1.1.1) Hours (Hours) / 3.1.1.2) Minutes (Minutes)

To edit and as a result modify the value of one of the two selected functions, press the MODE selector briefly in the middle. The background of the selected function turns red.

Briefly moving the MODE selector up or down, it is possible to change the value.

To exit the modification function, press the MODE selector briefly.

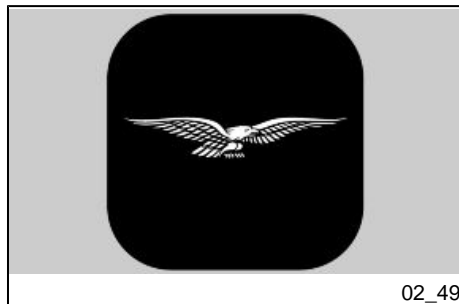
To return to the "Clock" menu, select "Exit" on the menu and press the MODE selector briefly in the middle.



### 3.1.2) 12H / 3.1.3) 24H

To render active the time display format, 12H or 24H, briefly press the middle of the MODE selector at the format desired. The confirmation of the desired selection is indicated by the side check mark "V".

To return to the "Dashboard" menu, select "Exit" on the menu and press the MODE selector briefly in the middle.



### 3.2) MGMP pairing (where required)

The vehicle is equipped with the "MOTO GUZZI MIA" control unit that communicates with the smartphone via Bluetooth. Using the specific "MOTO GUZZI" application installed on the smartphone, it is possible to exchange data with the vehicle and manage multimedia contents. Once a connection is established correctly between the control unit and the smartphone, the following functions can be directly managed by the digital display of the vehicle:

- manage phone calls;
- manage audio playback;
- GPS navigation.



Highlight the "MGMP pairing" function and briefly press the MODE selector in the middle.



The message confirming that pairing with the smartphone is enabled appears on the digital display. Enable the bluetooth search on your smartphone, select the "BT-ROUTER" device, if required, enter the password "0000" and press on pair.



The "BT-ROUTER" device will be visible in the list of associated devices on the smartphone. Wait for the digital display to automatically connect the smartphone. **Do NOT force the connection from the telephone.** The smartphone icon on the display indicates active communication. **When requested, allow phone book and notifications sharing.** These enabling operations are necessary to display the caller's name on the display.

#### NOTE

**UPON THE FIRST PAIRING BETWEEN THE DISPLAY AND SMARTPHONE, MORE TIME MAY BE REQUIRED FOR THE SYNCHRONIZATION OF THE PHONE BOOK.**



THE CONNECTION BETWEEN THE SMARTPHONE AND VEHICLE WILL BE SIGNALLED BY THE LIGHTING OF THE SMARTPHONE ICON ON THE DISPLAY.

#### CONNECTION BETWEEN THE APPLICATION AND THE DIGITAL DISPLAY

Search for the **"MOTO GUZZI"** application in Play Store or App Store and install it. Register your account by following the instructions. Select **"allow"** for the position and notifications management requests.

#### BLUETOOTH HEADSET PAIRING

The multimedia functions can be used with the MODE selector, by pairing a bluetooth headset with the digital display via the **"MOTO GUZZI"** application. After pairing it will be possible to answer or reject calls, activate voice commands and control the music on the smartphone.



Activate the **"pairing"** mode of the bluetooth headset to be paired (refer to the instructions of the device itself). Press the Bluetooth icon on the main screen of the **"MOTO GUZZI"** application and perform a new search for devices until the headset is displayed. Select the bluetooth headset, check the **"Handsfree/driver headset"** option and press **"Pair"**. Successful pairing is indicated by the helmet icon displayed on the digital display. If the pairing is not successful, perform a new search.

Repeat the operation to connect a second device also. If this pairing procedure is successful, the 2nd helmet icon will be highlighted in blue on the digital display.



No multimedia function can be managed from the handlebar of the vehicle if there is no bluetooth headset, or if the headset is directly connected to the smartphone. **The Bluetooth headset can be paired with the vehicle only via the "MOTO GUZZI" application and it must be connected to the vehicle in order to correctly use the multimedia functions of the system. For this reason, the headsets that automatically connects to the smartphone are not compatible (Ex: Apple Airpod).**

**If pairing between Smartphone and Vehicle is not successful, proceed as follows:**

- restart the smartphone;
- turn the ignition key to "**OFF**" and then to "**ON**"; wait for the animation on the display to end.

If the smartphone icon on the display is not illuminated after approximately 1 minute, proceed as follows;

- open "**MOTO GUZZI**" and select "**Connect**";
- select your vehicle from the list of suggestions and follow the instructions on the device;
- once the Application is connected, select the Bluetooth icon that appears on the main screen;
- open the Bluetooth devices menu;
- select "**Configure**" and delete all paired devices, leaving the current device as the last one;
- make sure that the application icon on the display is off;
- turn the ignition key to "**OFF**" and then to "**ON**", then wait until the animation on the screen ends;
- the display must show the pop up "**No connected device**";
- repeat the pairing procedure from the start.

**NOTE**

PLEASE NOTE THAT TO CONNECT THE APP TO THE VEHICLE AGAIN, THE FOLLOWING WILL BE NECESSARY:

- ON iOS, DELETE THE PREVIOUSLY INSTALLED APP AND REINSTALL IT.
- ON ANDROID, SIMPLY DELETE THE APPLICATION DATA FROM THE APP MANAGEMENT MENU (THIS WILL RETURN THE APPLICATION TO THE INITIAL CONDITION AND THE LOGIN AND FIRST CONNECTION TO THE VEHICLE MUST BE PERFORMED AGAIN).
- IN CASE OF CONNECTION TO A NEW VEHICLE, IT IS NECESSARY TO REMOVE THE PREVIOUS BT-ROUTER FROM THE ASSOCIATED DEVICES.

**NOTE**

IT IS RECOMMENDED TO PAIR A MAXIMUM OF 2 SMARTPHONES AND 2 HEADSETS TO THE SAME VEHICLE, TO OPTIMIZE THE OPERATION OF THE SYSTEM.

IN THE CASE OF PAIRING THE SECOND SMARTPHONE, NOTE THAT THE SECOND ONE WILL REQUIRE A LONGER TIME (MORE THAN 30 SECONDS) CONNECT TO THE "BT-ROUTER". ONCE THE SMARTPHONE IS CONNECTED TO THE "BT-ROUTER", THE OPERATING SYSTEM WILL REQUEST ACCESS TO THE PHONE BOOK AND TO THE NOTIFICATIONS; ACCEPT TO DISPLAY THE NAMES OF THE CALLERS ON THE DISPLAY.

**Required operation for iOS 10.0 versions or higher**

If the "BT-ROUTER" device does not automatically request permission to share notifications, the following procedure is necessary:

- Enter the menu: "Settings" > "Bluetooth" > "Phone devices";
- select "**BT-ROUTER**", select "Info", enable the options manually.

**INTERCOM AND VOCAL COMMANDS MANAGEMENT**

The "MOTO GUZZI" system manages the connection between the intercom and smartphone upon activation by the user.



**FOR SAFETY REASONS, IT IS RECOMMENDED TO CARRY OUT THE ACTIVATION / DEACTIVATION PROCEDURES WITH THE VEHICLE AT A STANDSTILL.**

To activate the "INTERCOM" function, from the main screen it is necessary to move the MODE selector down.

An "INTERPHONE ACTIVATED" pop-up will be shown for a limited time on the digital display.



Subsequently, the sound level can be adjusted using the MODE selector, before the pop-up disappears.

At this point, the "interphone" icon will switch on.





02\_58

A further downward movement of the MODE selector deactivates the connection, showing the message "INTERPHONE DEACTIVATED" on the digital display.



02\_59

To activate the "VOICE" function which allows using the smartphone, by giving voice commands via the handsets (e.g. Siri or Google Assistant), long press the activation button of the heated hand grips.



**THE "VOICE" FUNCTION CANNOT BE ACTIVATED IF THE "INTERCOM" FUNCTION IS ALREADY ACTIVATED.**



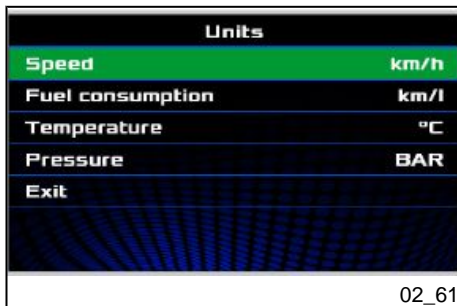
02\_60

### 3.3) MGMP pairing reset

This function is used to reset the pairing function, and therefore allows removing all previously memorized devices.

#### NOTE

**PERFORM A KEY OFF/ON TO VALIDATE THE OPERATION. UPON KEY ON, THE MESSAGE "NO PAIRED PHONES FOUND" WILL BE SHOWN (TELEPHONE NOT PAIRED).**

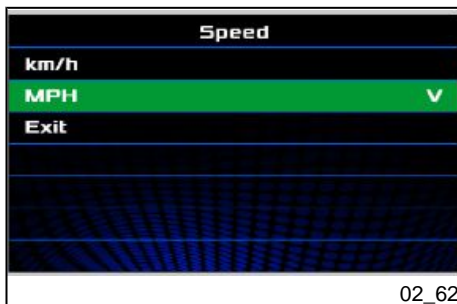


### 3.4) Units (Units)

This menu allows you to change the settings for displaying the units and is divided as follows:

- 3.4.1) Speed (Speed)
- 3.4.2) Fuel consumption (Fuel consumption)
- 3.4.3) Temperature (Temperature)
- 3.4.4) Pressure (where applicable)
- 3.4.5) Exit (Exit)

To return to the "Dashboard" menu, select "EXIT" on the menu and press the MODE selector briefly in the middle.



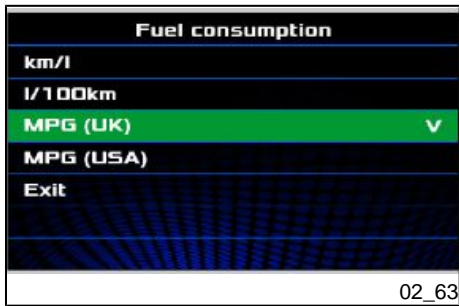
#### 3.4.1) Speed (Speed)

To render active the desired measurement units, expressed in MPH or km/h, select the unit and briefly press the MODE selector in the middle. The confirmation of the selection is indicated by the side check mark "V"

To return to the "Units" menu, select "Exit" on the menu and press the MODE selector briefly in the middle.

#### NOTE

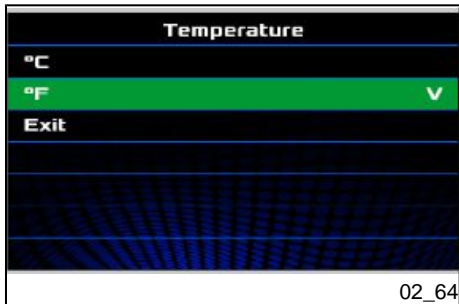
**IF THE UNIT OF MEASURE SET AT THE FACTORY HAS BEEN CHANGED, THE SPEED'S UNIT OF MEASURE WILL FLASH FOR 30 SECONDS EACH TIME THE KEY IS ENGAGED.**



### 3.4.2) Fuel consumption (Fuel consumption)

To render active the desired units, regarding fuel consumption, after having selected it, briefly press the MODE selector in the middle. The confirmation of the selection is indicated by the side check mark "V"

To return to the "Units" menu, select "Exit" on the menu and press the MODE selector briefly in the middle.



### 3.4.3) Temperature (Temperature)

To render active the desired units, regarding ambient temperature, briefly press the MODE selector in the middle at the desired value. The confirmation of the selection is indicated by the side check mark "V".

To return to the "Units" menu, select "Exit" on the menu and press the MODE selector briefly in the middle.



### 3.4.4) Pressure (where applicable)

To render active the desired units, regarding the tyre inflation pressure, after having selected it, briefly press the MODE selector in the middle. The confirmation of the selection is indicated by the side check mark "V"

To return to the "Units" menu, select "Exit" on the menu and press the MODE selector briefly in the middle.



02\_66

### 3.5) Languages (Languages)

This menu allows you to set the display language of the dashboard.

To render active the desired language, briefly press the MODE selector in the middle at the desired language. The confirmation of the selection is indicated by the check mark "V".

To return to the "Units" menu, select "Exit" on the menu and press the MODE selector briefly in the middle.



02\_67

### 4) Service (Service)

The "Service" menu consists of the following:

4.1) Change user code (Change user code)

4.2) Code recovery (Code recovery)

4.3) EXIT (Exit)

The functions of the "Service" menu are shown in the paragraphs below.

To return to the main "MENU", select "Exit" on the menu and press the MODE selector briefly in the middle.



02\_68

#### 4.1) Change user code (Change user code)

This function may be used to modify the existing code (you must be in possession of the code itself in order to do this). The user code enables engine start even in the event of an immobiliser system fault. The user code is set by default as five zeros (00000) on a new vehicle, and the message "INSERT CODE" is shown on the display for ten seconds.

This function allows you to change the code itself and remove this message.

On the value to the leftmost of the display a value from 0 to 9 will be shown (which can be modified by moving the MODE selector upward or downward). Press the centre of the "MODE" selector briefly to confirm the selection. Repeat the operation for all



#### 4.2) Code recovery (Code recovery)

This function must be used should it be necessary to change the user code when the user no longer remembers the current code. Both keys stored in the vehicle memory are needed to access this function.

When the function is activated, by pressing briefly on the middle of the MODE selector, the screen "INSERT KEY 1" is displayed to signal the recognition request of the first key. Insert the key. If the correct key is recognised within twenty seconds, the message "INSERT KEY 2" is shown on the display. Insert the second key. If the second key is also recognised within twenty seconds, the dashboard resets the user code to the default code (five zeros - 00000). Enter the new user code following the "CHANGE USER CODE " procedure.



#### CUSTOM MODE

After having been selected, the custom mode function, can be immediately accessed by long pressing the MODE selector directly from the main screen.



This function is used to set the parameters of the RIDING MODE, which can be selected with the function "MAPPING SELECTION".

The parameters to be selected are:

- 1) Engine map (Engine map)
- 2) MGCT (Moto Guzzi Traction Control)
- 3) ABS
- 4) Reset
- 5) Exit (Esci)

To scroll through the various entries, press the MODE selector up/down. To exit the "Custom Mode" function, select EXIT and briefly press the MODE selector in the middle position.

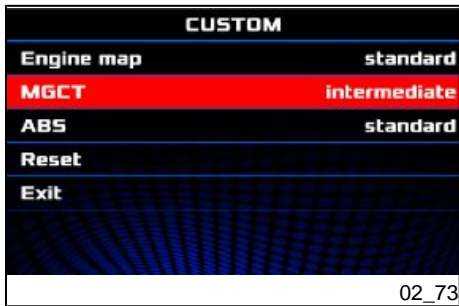


### 1) Engine map

This function allows to adjust the power supply level, regulated by the engine control unit. The available options are: DYNAMIC, STANDARD and SOFT.

To adjust the parameter, once "Engine map" has been selected, briefly press the MODE selector in the middle. The parameter will then be displayed in red with the set value shown on the side. Change the parameter by pressing the MODE selector up/down.

Press the MODE selector briefly in the middle to return to the parameters selection screen.



## 2) MGCT (Moto Guzzi Traction Control)

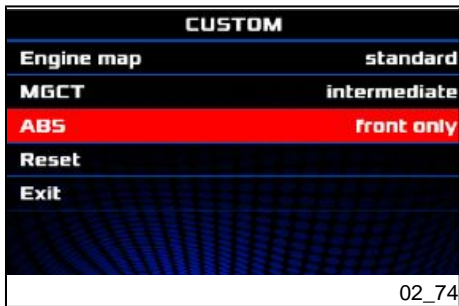
This function allows to adjust the traction control level. The available options are: DE-ACTIVATED, LOW, INTERMEDIATE and HIGH.

To adjust the parameter, once "MGCT" has been selected, briefly press the MODE selector in the middle. The parameter will then be displayed in red with the set value shown on the side. Change the parameter by pressing the MODE selector up/down.

Press the MODE selector briefly in the middle to return to the parameters selection screen.

### NOTE

**In case of selecting LOW, the message "Only for off-road" appears in the display.**



## 3) ABS

This function allows adjusting the operation level of the ABS system. The options that can be selected are the following: ONLY FRONT and STANDARD.

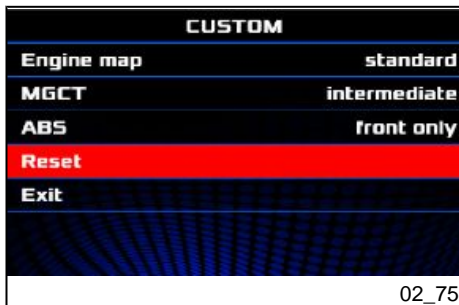
To adjust the parameter, once "ABS" has been selected, briefly press the MODE selector in the middle. The parameter will then be displayed in red with the set value shown on the side. Change the parameter by pressing the MODE selector up/down.

Press the MODE selector briefly in the middle to return to the parameters selection screen.

### NOTE

**It is not possible to deactivate this parameter with this function. If you want to deactivate this entry, refer to the "menu" section within the "ADVANCED FUNCTIONS".**

**If the option ONLY FRONT is selected, the message "rear ABS deactivated" appears in the display.**

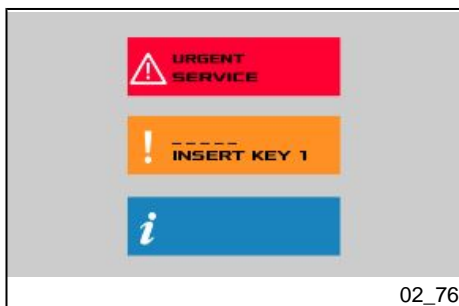


#### 4) RESET

This function allows to restore all parameters of the mapping "CUSTOM MODE" to the original values.

To reset the parameters, once the "RESET" entry has been selected, briefly press the MODE selector in the middle, then select "YES" and confirm with briefly pressing the MODE selector.

To return to the "ADVANCED FUNCTIONS" screen, select "Exit" on the menu and press the MODE selector briefly in the middle.



#### SYSTEM MESSAGES "MOTO GUZZI MIA"

The «**MOTO GUZZI MIA**» system communicates with the user through messages that can be viewed on the graphic panel of the digital display. Depending on the message type, the graphic panel shows the icon, colours and the specific message. The image opposite displays:

- Text alarms, contact an **Authorised Service Centre**;
- Warning messages;
- Info messages.

#### NOTE

**THE MODE SELECTOR COMMANDS ARE IGNORED WHEN A POPUP IS PRESENT ON THE DISPLAY. TO RESTORE THE STANDARD USE, IT IS NECESSARY TO REMOVE THE POPUP FROM THE DISPLAY FIRST.**



## CALL MANAGEMENT

To use phone features, view caller notifications and identifiers, it is necessary to:

- pair the smartphone with the "MOTO GUZZI MIA" system via Bluetooth, as previously described;
- install and log in to the "MOTO GUZZI" application with your account on the smartphone;
- pair a bluetooth headset to the "MOTO GUZZI MIA" system via the «MOTO GUZZI» application;
- allow sharing of the phone book and notifications when the smartphone is paired with the "MOTO GUZZI MIA" system.
- The corresponding three icons are shown on the digital display. Please note that on iOS systems the message notifications will be displayed **ONLY** at the second connection of the smartphone to the vehicle.

## NOTE

**WHEN A SMARTPHONE CONNECTS WITH THE «MOTO GUZZI MIA» SYSTEM (BT-ROUTER), AUDIO IS AUTOMATICALLY ROUTED TO THE MOTO GUZZI MIA SYSTEM. IF THERE IS NO HEADSET CONNECTED TO THE "MOTO GUZZI MIA" SYSTEM, THE AUDIO FUNCTION OR MUSIC PLAYBACK CANNOT BE MANAGED, THEREFORE THE SMARTPHONE AUDIO MUST BE MANUALLY ROUTED TO THE DESIRED DEVICE (E.G. SPEAKERS/TELEPHONE MICROPHONE).**

The following information appears on the digital display:

- call in progress;
- call ended;
- voice control active.

## **MODE SELECTOR FUNCTIONS FOR CALL MANAGEMENT**

Accept incoming call	CENTRAL BUTTON BRIEF PRESS
End an active call	CENTRAL BUTTON LONG PRESS
Reject incoming call	CENTRAL BUTTON LONG PRESS
Cancel outgoing call	CENTRAL BUTTON LONG PRESS
Clear most recent missed call popup (with NO call in progress)	CENTRAL BUTTON BRIEF PRESS
Redial last missed call number (with NO call in progress)	CENTRAL BUTTON LONG PRESS
Increase volume (with call in progress)	BRIEF PRESS UPWARD
Lower volume (with call in progress)	BRIEF PRESS DOWNWARD

### **MANAGING A SECOND CALL**

If the smartphone paired with the "MOTO GUZZI MIA" system is capable of receiving a second incoming call, a number of functions for managing a second call are available.

A popup appears on the digital display showing the identification details of the current and of the new incoming call are displayed in alternation (at intervals of approximately 1 second).

If the second incoming call is not accepted, a pop-up appears at the end of the ongoing conversation with details of the missed call.

## **FUNCTIONS OF MODE SELECTOR FOR MANAGING SECOND CALL**

Accept incoming call and put current call on hold	CENTRAL BUTTON BRIEF PRESS
Reject incoming call and continue current call	CENTRAL BUTTON LONG PRESS



### **MUSIC PLAYBACK MANAGEMENT**

To use the functions of the music player, the following must be performed:

- pair the smartphone with the "**MOTO GUZZI MIA**" system via Bluetooth, as previously described;
- install and log in to the "**MOTO GUZZI**" application with your account on the smartphone;
- pair a bluetooth headset to the "**MOTO GUZZI MIA**" system via the «**MOTO GUZZI**» application.

The corresponding three icons are shown on the digital display.

### **NOTE**

**WHEN A SMARTPHONE CONNECTS WITH THE «MOTO GUZZI MIA» SYSTEM (BT-ROUTER), AUDIO IS AUTOMATICALLY ROUTED TO THE MOTO GUZZI MIA SYSTEM.**

**IF THERE IS NO HEADSET CONNECTED TO THE "MOTO GUZZI MIA" SYSTEM, THE AUDIO FUNCTION OR MUSIC PLAYBACK CANNOT BE MANAGED, THEREFORE THE SMARTPHONE AUDIO MUST BE MANUALLY ROUTED TO THE DESIRED DEVICE (E.G. SPEAKERS/TELEPHONE MICROPHONE).**

The following information appears on the digital display:

- track playing;
- playback paused;
- playback interrupted.

Use the MODE selector to manage audio playback as shown in the table:

### **MODE SELECTOR FUNCTIONS FOR MUSIC MANAGEMENT**

Play track	CENTRAL BUTTON BRIEF PRESS
Increase audio volume (with audio playback in progress)	BRIEF PRESS UPWARD
Lower audio volume (with audio playback in progress)	BRIEF PRESS DOWNWARD
Next music track	LONG PRESS UP
Previous audio track	LONG PRESS DOWN
Play / pause	CENTRAL BUTTON BRIEF PRESS
Exit audio playback mode	CENTRAL BUTTON LONG PRESS
Intercom activation (when music is NOT active)	LONG PRESS DOWN



## GPS NAVIGATION

Combined with the "MOTO GUZZI" application, the "MOTO GUZZI MIA" system allows the display of GPS indications on the digital display. By means of pictograms, distance and travel time data, the desired destination can be reached.

Refer to the navigation guide by accessing the "MOTO GUZZI" application with your account. The navigation icon appears on the digital display after setting the destination address.

The GPS directions screen is accessed by pressing the MODE selector UPWARDS.

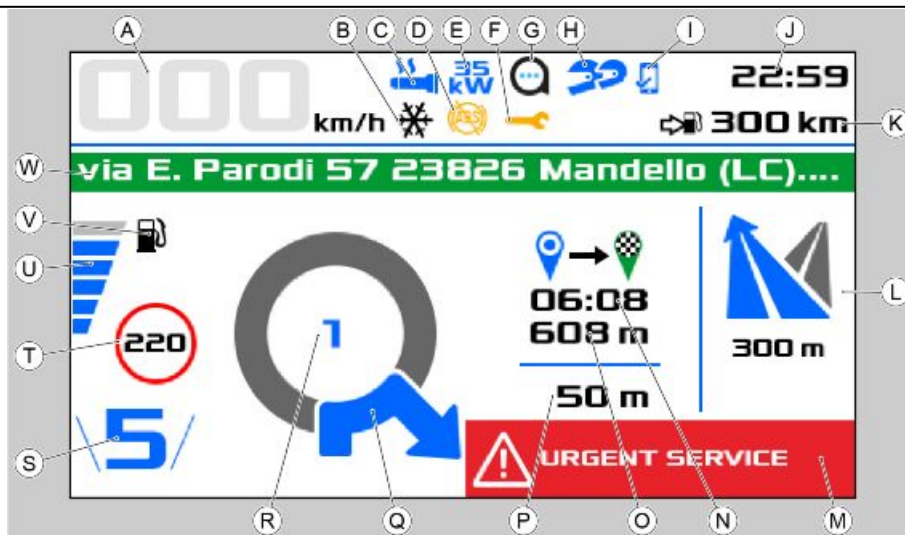
### NOTE

**BY SETTING THE DESTINATION ADDRESS VIA THE "MOTO GUZZI" APPLICATION, THE DIGITAL DISPLAY AUTOMATICALLY DISPLAYS THE INDICATION SCREEN.**

### NOTE

**"SHORT PRESS": PRESS THE BUTTON AND RELEASE WITHIN 0.5 SECONDS;**

**"PRESS AND HOLD": PRESS THE BUTTON AND HOLD FOR AT LEAST 2 SECONDS.**



02\_80

#### Navigation screen key:

A = speed (speedometer) (displayed in mph or km/h);

B = Ice hazard icon (displayed at temperatures from 5°F (-15°C) to 37.4°F (3°C)) / Low battery voltage warning icon (voltage too low between poles) / TPMS indicator (tyre pressure warning)(where foreseen);

C = heated hand grips (where foreseen);

D = ABS system indicator only on front wheel in the "OFF ROAD" mode only;

E = Presence of underpowered map indicator (35kW);

F = service icon;

**G** = data link with smartphone;

**H** = rider/passenger intercom;

**I** = audio link with the smartphone used to make calls, use voice commands and play music;

**J** = clock (displayed in 24 or 12 hour format, without the AM / PM indication);

**K** = remaining km/mi of the current journey;

**L** = symbol of manoeuvre after next manoeuvre, and relative distance;

**M** = information pop-up;

**N** = time remaining to arrival at destination;

**O** = distance remaining to arrival at destination;

**P** = distance relative to indication "**P**";

**Q** = next manoeuvre symbol;

**R** = number of exit to take from roundabout;

**S** = gear engaged (displayed only with the engine running and the vehicle moving);

**T** = Indication regarding the speed limit applicable on the current road;

**U** = Fuel gauge;

**V** = fuel reserve icon;

**W** = destination address;

## **Ignition Switch (02\_81)**

The ignition switch is on the front of the fuel tank where the steering headstock is.

The vehicle is supplied with two keys (one is the spare key).

The lights can only be switched off with the ignition switch turned to OFF.

#### NOTE

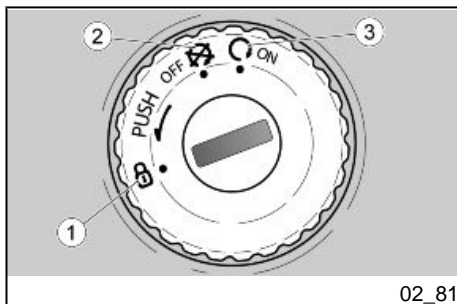
**THE KEY IS USED IN THE IGNITION/STEERING LOCK SWITCH, THE KEYHOLE FOR THE FUEL TANK CAP, AND FOR THE SADDLE COMPARTMENT.**

#### NOTE

**THE LIGHTS COME ON AUTOMATICALLY AFTER THE ENGINE STARTS.**

#### NOTE

**KEEP THE SPARE KEY IN DIFFERENT PLACE, NOT WITH THE VEHICLE.**



**LOCK (1):** The steering is locked. It is not possible to start the engine or switch on the lights. The key can be extracted

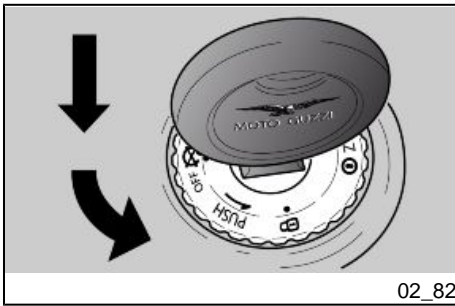
**OFF (2):** The engine and lights cannot be set to work. The key can be extracted.

**ON (3):** The engine can be started. The key cannot be extracted.

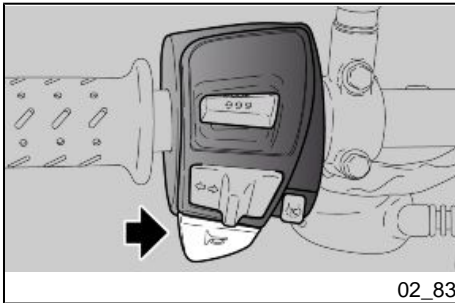
### Locking the Handlebar (02\_82)



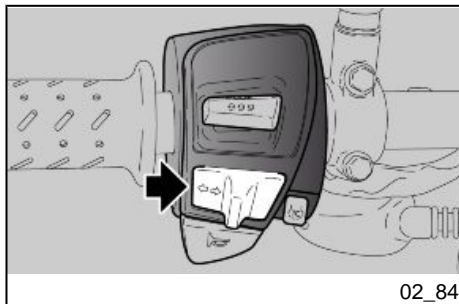
**TO AVOID LOSING CONTROL OF THE VEHICLE, NEVER TURN THE KEY TO "LOCK" WHILE RIDING.**

**To lock the steering:**

- Turn the handlebar fully to the left.
- Turn the key to «OFF».
- Push in the key and turn it anticlockwise (to the left), steer the handlebar slowly until the key is set to «LOCK».
- Extract the key.

**Horn Button (02\_83)**

Press it to activate the horn.



02\_84

## Turn Signal Selector (02\_84)

Move the switch to the left to indicate a left turn; move the switch to the right to indicate a right turn. Pressing the switch deactivates the turn indicator.

### IMPORTANT

**IF THE WARNING LIGHT WITH ARROWS FLASHES QUICKLY, IT MEANS THAT ONE OR BOTH TURN SIGNALS LIGHT BULBS ARE BURNT OUT.**

The turn indicators have a self-cancelling function that implements the following logic.

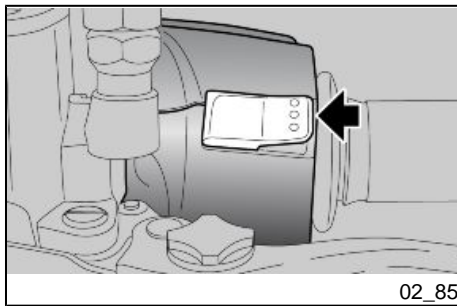
With the vehicle at standstill (speed = zero), the turn indicators continue flashing indefinitely.

With the vehicle in motion, the turn signals self-cancel when one of the two following conditions is met:

- After a time (t) = 40 sec.
- After riding 0.31 mi (500 m)

If the vehicle speed reaches zero during this period, the time and distance counts are reset and start again from zero when the vehicle starts moving once again.

Switching on the opposite side turn indicators without pressing the switch in the intermediate reset position causes both the time and distance counters to reset and recommence from zero.



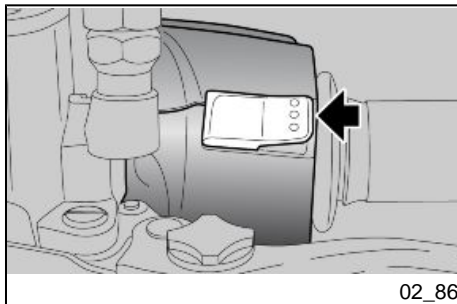
## High/Low Beam Selector (02\_85)

In the mode with the DRL activated:

- the light switch functions are disabled except for the high beam flasher function
- In the right hand position the high beam flashes in case of danger or emergency.

In the mode with night lights activated:

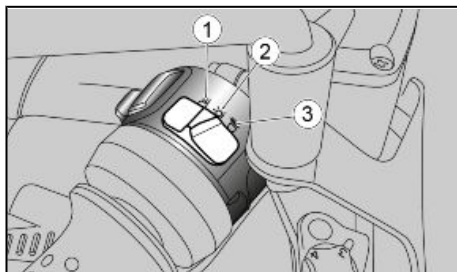
- the switch in the central position keeps the daylight running lights, the instrument panel lights and the low beam on.
- In the left hand position the high beam is activated.
- In the right hand position the high beam flashes in case of danger or emergency.



## Passing Button (02\_86)

Uses the high beam flash in case of danger or emergency.

Releasing the switch deactivates the high beam flash.



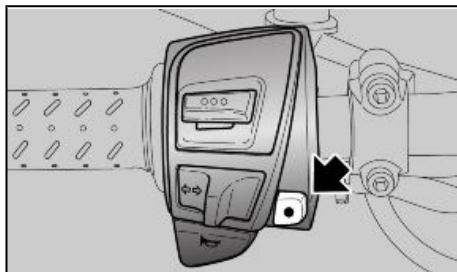
02\_87

### Daytime/night lights switch (02\_87)

- Pushing the switch toward the rider (1), the DRL are activated
- Pushing the switch to central position (2), the high beam/low beam night lights are activated
- Pushing the switch forward (3), the high beam/low beam lights are activated and, where provided, the fog lights.

### Heated handgrip control (02\_88, 02\_89)

(IF AVAILABLE)



02\_88

Activation, deactivation and heat level of the handgrips take place by short pressing the control.



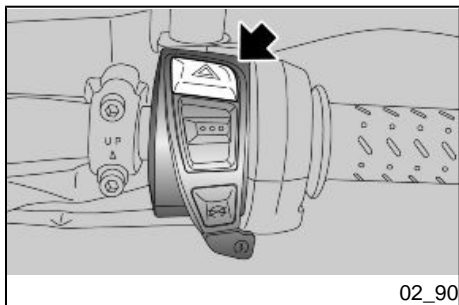
02\_89

There are 3 heat intensity levels which are activated cyclically from level 1 (minimum) to level 3 (maximum) each time the control is pressed. After level 3, pressing the control again deactivates the function.

If the key is switched to the OFF position, upon restarting the function will be deactivated.

#### NOTE

**HEATING OF THE HAND GRIPS, REGARDLESS OF THE INTENSITY LEVEL CHOSEN, ONLY OCCURS WITH THE ENGINE STARTED AND OVER 2000 rpm**



02\_90

#### Flasher button (02\_90)

The HAZARD system is only available at key ON. By pressing the button, the four turn indicators and their warning lights on the panel are turned on at the same time. Pressing again deactivates the system. The HAZARD light remains on even after extracting key but it cannot be deactivated.

If the key is switched to the OFF position, upon restarting the function will be deactivated.

#### IMPORTANT

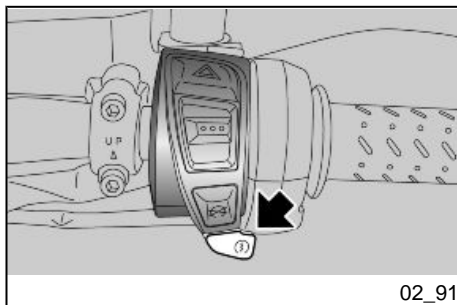
**IF A TURN INDICATOR IS SWITCHED ON WHILE THE HAZARD SYSTEM IS ACTIVE, THE HAZARD SYSTEM IS DISABLED TEMPORARILY UNTIL THE TURN INDICATOR IS RESET.**

### Start-up Button (02\_91)

With the key in the ignition and turned to ON, when the button is pressed, the starter motor will start the engine



**AFTER A FEW SECONDS FROM THE ENGINE START-UP, THE START-UP BUTTON ASSUMES THE MAPPING CHANGE FUNCTION.**



02\_91

### Engine Stop Switch (02\_92)

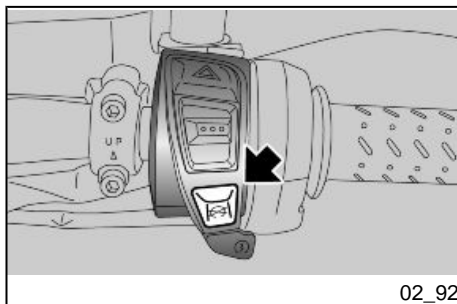
#### IMPORTANT



**DO NOT OPERATE THE ENGINE STOP SWITCH WHILE RIDING THE VEHICLE.**

It acts as a safety or emergency switch.

Press this switch to stop the engine.



02\_92

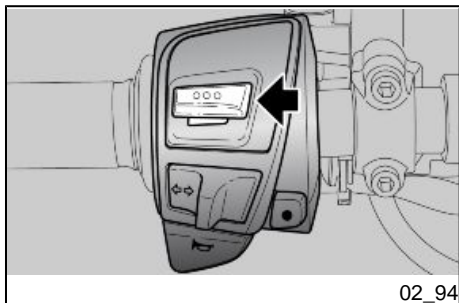
## Button Cruise Control (02\_93, 02\_94)

### IMPORTANT

**IN THE NAVIGATOR MODE, THE SPEED SET WITH THE CRUISE CONTROL WILL NO LONGER BE SHOWN.**

**HOWEVER, THE CRUISE CONTROL WILL CONTINUE ITS NORMAL OPERATION.**

**THE WAYS IN WHICH THE INDICATOR LIGHTS IS ACTIVATED REMAIN THE SAME.**



Cruise control is an electronic system that keeps the vehicle at a constant speed selected by the rider.

To turn the system (switching from OFF to ON state) it is required to centrally press the cruise control selector with a long press (longer than 1 second), the system power is indicated by the warning light on the instrument cluster in flashing mode.

The system can be used in certain ranges of speeds for the gears from the second to the sixth, even during deceleration and with the throttle grip released.

#### Minimum:

- 19 mph (30 km/h) for the second gear
- 22 mph (35 km/h) for the third gear
- 25 mph (40 km/h) for the fourth gear
- 34 mph (55 km/h) for the fifth and sixth gear

#### Maximum:

- 37 mph (60 km/h) for the second gear
- 53 mph (85 km/h) for the third gear
- 68 mph (110 km/h) for the fourth gear
- 84 km/h (135 mph) for fifth gear
- 109 km/h (175 mph) for sixth gear

After reaching the desired speed, the system can be activated (transition to SET state) by a short central press (less than 1 second) of the cruise control selector under the following conditions:

- The engaged gear cannot be less than the third and even in neutral;

- The brakes should not be operated;
- The clutch must not be operated;
- The speed conforms to the limit established for each gear

The indicator lamp on the instrument cluster lights continuously to indicate that the system is active.

The rider may now release the throttle grip, as the system will automatically maintain the set speed.

It is possible to increase or decrease the cruising speed with a short press (less than 0.6 second) on the cruise control switch up or down (speed increase / decrease by 1 mph (2 km/h)) or via a long press (from 1 to 20 seconds) up or down (constant increase / decrease of the speed). The throttle may be used to temporarily increase the speed by up to 19 mph (30 km/h) for the second, third and fourth gear and by up to 25 mph (40 km/h) for the fifth and sixth gear with respect to the selected speed without turning off the system (e.g. overtaking). If the increase in speed exceeds 19 mph (30 km/h) for the third, fourth and fifth gear and 25 mph (40 km/h) for the sixth gear, the system will be deactivated (it will change from SET to ON, flashing light). Released the throttle grip, the motorcycle will return to the selected cruising speed. For each gear, exceeding the maximum limit of further 12 mph (20 km/h) causes the system to deactivate (switching from SET to ON status, or flashing indicator light).

The system is deactivated (change from SET to ON status) if any of the following conditions:

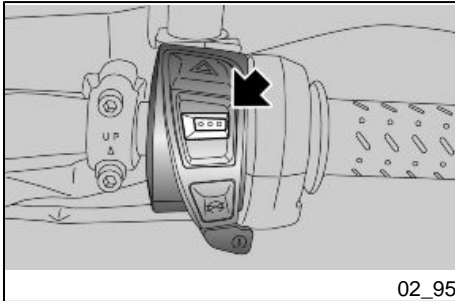
- By operating the clutch;
- Operating the front/rear brake;
- At any gear shift;
- Pressing with a short central pressure the left selector;
- If the engine rpm limiter is activated;
- If the tracking control is activated;
- If climbs or particularly steep descents appear;
- Turning the throttle grip in the direction of contrary rotation

The system can be reactivated, observing the usual conditions described above, via a long press up (more than 0.6 second) on the selector if you want to reconfirm the

last cruising speed used (RESUME function), or by pressing the cruise control switch with a central prolonged press (more than 0.6 second) to set a new cruising speed.

The system turns off completely (change from SET to the OFF state), then the stored speed is lost and the instrument cluster light goes off, if any of the following conditions are present:

- The cruise control selector is pressed centrally for long (more than 0.6 second);
- Run-off interrupter activated;
- Engine stop (Key-OFF);
- In case of failure of any cruise control related device.



### **Selector MODE (02\_95)**

It allows you to navigate through the functions of the instrument panel.

### **ABS system (02\_96, 02\_97)**

The ABS system is a device that prevents wheel locking in case of an emergency braking, thus increasing vehicle stability when braking, compared with a conventional braking system.

The ABS system improves vehicle control provided that the physical limits of vehicle grip on the road are not exceeded. The rider is fully responsible for riding at a suitable

speed based on weather and road conditions, always leaving an appropriate safety margin.

Under no circumstances can the ABS system compensate for the rider's misjudgment or improper use of brakes.

#### NOTE

**WHEN THE ABS STARTS WORKING, A PULSING IS FELT ON THE BRAKE LEVER.**



**THE ANTI-LOCK BRAKING SYSTEM OF THE WHEEL DOES NOT PREVENT FALLS WHILE CORNERING.**

**AN EMERGENCY BRAKING WITH THE VEHICLE INCLINED, HANDLEBAR TURNED, ON UNEVEN OR SLIPPERY ROADS, OR WITH POOR GRIP, CREATES A LACK OF STABILITY DIFFICULT TO HANDLE. RIDE CAREFULLY AND SENSIBLY AND ALWAYS BRAKE GRADUALLY.**

**DO NOT SPEED RECKLESSLY. THE VEHICLE GRIP ON THE ROAD IS SUBJECT TO LAWS OF PHYSICS WHICH NOT EVEN THE ABS SYSTEM CAN ELIMINATE.**

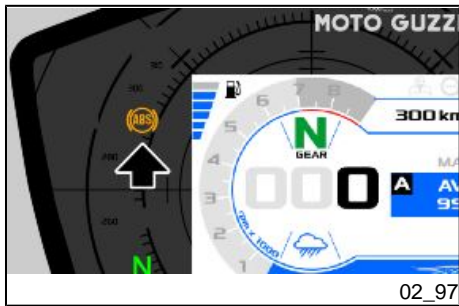
In **OFF ROAD** mode, the ABS system deactivates automatically for the rear wheel.

#### IMPORTANT

**ONLY IN THIS MODE DOES THE ABS SYSTEM STAY ACTIVE EXCLUSIVELY FOR THE FRONT WHEEL AND THE DEDICATED SYMBOL APPEARS ON THE DISPLAY TO REMIND THE RIDER TO TAKE PARTICULAR CARE.**



02\_96



Upon starting the vehicle, after the initial instrument panel check, the ABS lamp flashes until the speed of 3 mph (5 km/h) is exceeded and then it switches off or continues to flash even after exceeding the speed of 3 mph (5 km/h).

If the ABS warning light continues flashing or is permanently on, a failure has been detected and the ABS has been automatically deactivated.

In this case carry out the following operations:

- stop the vehicle;
- OFF-ON key;
- ride the vehicle with a speed above 3 mph (5 km/h): the ABS warning light must be turned off;
- ABS is functioning.

If the ABS disabled indication remains:

#### NOTE

**IF THIS OCCURS, CONTACT AN OFFICIAL Moto Guzzi dealer**

#### NOTE

**THE ABS SYSTEM IS DESIGNED AND DEVELOPED CONSISTENTLY WITH THE ENTIRE VEHICLE, FOR OFF-ROAD USE AS WELL.**

**IF THE VEHICLE IS USED ON PARTICULARLY ROUGH ROADS, THE ABS SYSTEM MAY BE DISABLED AUTOMATICALLY; IN ANY CASE, THE BRAKING SYSTEM WORKS PERFECTLY WELL AS A TRADITIONAL NON-ABS BRAKING SYSTEM AND PROVIDES A STANDARD STOPPING PERFORMANCE.**

**IN ORDER TO REACTIVATE THE SYSTEM JUST STOP AND RESTART THE VEHICLE AND RIDE WITH A SPEED ABOVE 3 mph (5 km/h).**



**THE ABS SYSTEM ACTS ON BOTH THE FRONT AND REAR WHEELS BY OBTAINING INFORMATION FROM THE ROTATION/ LOCKING TONE WHEELS. ALWAYS CHECK THAT THE TONE WHEEL IS CLEAN, AND REGULARLY CHECK THAT THE DISTANCE FROM THE SENSOR IS CONSTANT ON ALL 360 DEGREES. SHOULD THE WHEELS BE REMOVED AND REFITTED, IT IS VERY**

**IMPORTANT TO CHECK THAT THE DISTANCE BETWEEN TONE WHEEL AND SENSOR IS THE ONE SPECIFIED. FOR CHECKING AND ADJUSTMENT, CONTACT AN Authorised Moto Guzzi Garage.**



**IN THE CASE OF A MOTORCYCLE WITH THE ABS SYSTEM, BRAKE PADS WITH FRICTION MATERIALS THAT ARE NOT TYPE APPROVED WILL JEOPARDISE BRAKING, DRASTICALLY REDUCING RIDING SAFETY.**

#### **NOTE**

**AS THE ABS SYSTEM SENSORS READING THE TONE WHEELS ARE EXTREMELY SENSITIVE, A SPEED OF A FEW mph (km/h) MAY BE INDICATED ON THE DIGITAL DISPLAY WHEN THE MOTORCYCLE IS STATIONARY AND THE ENGINE IS RUNNING.**

**SUCH BEHAVIOUR IS TO BE CONSIDERED NORMAL AND DOES NOT CREATE MALFUNCTIONS IN THE SYSTEM.**



**IF THE GAP FOR ONE OR BOTH SENSORS IS NOT WITHIN THE TOLERANCE INDICATED BELOW, TAKE THE MOTORCYCLE TO AN Official Moto Guzzi Dealer**

#### **Characteristic**

##### **Distance between tone wheel and front sensor**

0.004 - 0.079 in (0.1 - 2.00 mm)

##### **Distance between tone wheel and the rear sensor**

0.004 - 0.079 in (0.1 - 2.00 mm)

## MGCT system (Moto Guzzi Controllo Trazione) (02\_98)

The MGCT system is a device that helps the rider during acceleration in manoeuvres with the aim to increase the stability of the vehicle, especially on slippery surfaces or in conditions that can cause sudden slippage of the rear wheel. In these situations, the MGCT automatically intervenes by reducing engine output within the limit imposed by the grip conditions, contributing significantly to the maintenance of stability of the vehicle. The rider is entirely responsible for riding at an appropriate speed in relation to the weather, road conditions, vehicle load and state of the tyres, and allowing for an adequate margin of safety, taking into consideration that the physical limits of vehicle grip on the road never have to be exceeded. Under no circumstances can MGCT compensate for any rider error or improper use of the throttle.

### IMPORTANT



**THE MGCT SYSTEM DOES NOT PREVENT FALLING IN TURNS.**

**ACCELERATING SUDDENLY WHILE THE VEHICLE IS INCLINED OR WITH THE HANDLEBARS TURNED WILL PUT THE VEHICLE IN AN UNSTABLE STATE THAT IS EXTREMELY DIFFICULT TO RECTIFY.**

**DO NOT SPEED RECKLESSLY. LIMITS OF GRIP ARE DETERMINED BY LAWS OF PHYSICS, WHICH EVEN THE MGCT SYSTEM CANNOT OVERCOME.**

### WARNING

**THE MGCT SYSTEM IS BASED ON THE RECOGNITION OF SPEED DIFFERENCES BETWEEN FRONT AND REAR WHEEL. @@ FOR THE SYSTEM TO PERFORM CORRECTLY IN ALL CONDITIONS, THE PROCEDURE MUST BE PERFORMED EACH TIME A TYRE IS REPLACED EVEN IF ONLY ONE OF THE TYRES IS REPLACED.**

**TO CALIBRATE, PERFORM THE PROCEDURE DESCRIBED IN THE "ADVANCED FUNCTIONS" CHAPTER**



02\_98

To disable the MGCT system, refer to the "advanced functions" chapter.

The visual warning signals of the MGCT system consists of orange indicator lamps on the top of the instrument panel and the orange MGCT indicator lamp on the right.

#### Flashing mode:

- Off with the vehicle in motion: the system is working, but is not active (normal condition).

- Flashing quickly with moving vehicle: The system is functioning correctly and is active (poor grip conditions, engine power limiting in effect); ride with extreme care, as the grip limit has been exceeded; restore the vehicle safety conditions by gently reducing the throttle opening.

- On with the vehicle in motion: the system is disabled and will not intervene in case of loss of grip.

- If the rider has disabled the system, remember that it must be reactivated as soon as possible.
- If the deactivation was NOT voluntary, there is an MGCT system failure: in this case you must contact an Authorised Service Centre for the diagnosis and the reactivation of the system.

To ensure maximum safety of the vehicle it is advisable to keep the system active. Deactivation may only be necessary if starting on very low grip surfaces (mud, snow, gravel) on which intervention of the MGCT could prevent the vehicle from moving.

#### IMPORTANT

**THE STATE OF THE MGCT SYSTEM CAN ONLY BE MODIFIED WITH THE KEY TURNED TO ON.**

#### NOTE

**AT VEHICLE START-UP THE MGCT WARNING LIGHT FLASHES AT THE SAME FREQUENCY AS THE ABS WARNING LIGHT, INDICATING A DIAGNOSTIC PHASE OF THE SYSTEM. IF THERE ARE NO ERRORS, BOTH WARNING LIGHTS TURN OFF AT THE SAME TIME WHEN EXCEEDING 3 mph (5 km/h).**

**IN CASE OF ABSENCE OF FLASHING AT START-UP, THE SYSTEM MAY NOT WORKING, PLEASE CONTACT AN AUTHORISED SERVICE CENTRE.**

**WARNING**

**IF DISABLED BY THE USER, THE MGCT SYSTEM KEEPS THE STATE OF INACTIVITY ONLY IF THE VEHICLE IS STOPPED USING THE ENGINE STOP SWITCH (RUN-OFF)**

**IMPORTANT**

**IT IS EMPHASISED THAT THE RIDING AUXILIARY SYSTEM CANNOT CHANGE THE PHYSICAL LIMITS OF GRIP AND IS NOT A SUBSTITUTE FOR PROPER MANAGEMENT OF POWER, BOTH ON STRAIGHT STRETCHES AND IN TURNS. THEREFORE, IT IS RECOMMENDED TO ALWAYS USE THE VEHICLE WITH THE UTMOST CARE AND IN ACCORDANCE WITH THE REGULATIONS IN FORCE.**

**NOTE**

**WHEN GOING OVER ROAD JOINTS, RAILS AND/OR ROADS FULL OF POT-HOLES, BRIEF ACTIVATION OF THE MGCT SYSTEM MAY OCCUR. SUCH EVENT APPEARS UNDER NORMAL OPERATION CONDITIONS OF THE VEHICLE.**

**IMPORTANT**

**A POOR STATE OF MAINTENANCE OF THE TYRES (PRESSURE TOO LOW OR FLAT TYRES/WEAR) CAN RESULT IN ABNORMAL OPERATION OF THE MGCT SYSTEM.**

**IN CASE OF REPEATED INTERVENTIONS OF THE MGCT SYSTEM, EVEN ON ROAD SURFACES WITH GOOD GRIP OR SMALL THROTTLE OPENINGS, IT IS NECESSARY TO CHECK FOR WEAR AND/OR THE STATE OF INFLATION OF TYRES FIRST. IF THE PROBLEM PERSISTS, DEACTIVATE THE MGCT SYSTEM AND CONTACT AN AUTHORIZED SERVICE CENTRE.**

**IMPORTANT**

**IN THE EVENT OF MALFUNCTION OF THE BATTERY, THE ABS - MGCT SYSTEM TURNS OFF.**



**IF THE GAP FOR ONE OR BOTH SENSORS IS NOT WITHIN THE TOLERANCE INDICATED BELOW, TAKE THE MOTORCYCLE TO AN Official Moto Guzzi Dealer**

**Characteristic****Distance between tone wheel and front sensor**

0.004 - 0.079 in (0.1 - 2.00 mm)

**Distance between tone wheel and the rear sensor**

0.004 - 0.079 in (0.1 - 2.00 mm)

**immobilizer system performance (02\_99, 02\_100, 02\_101)**

For enhanced theft protection, the vehicle is equipped with an electronic immobilizer system that is activated automatically when the ignition key is removed.

Keep the second key in a safe place since it is not possible to make a copy if it gets lost. This would imply replacing numerous parts of the vehicle (besides the locks).

Each key in the grip has an electronic device - transponder - which modulates the radio frequency signal emitted by a special aerial inside the switch when the vehicle is started.





02\_100



02\_101

The modulated signal is the "password" by which the appropriate central unit recognises the key and only after this occurs, it allows the engine start-up.

#### IMPORTANT

**THE IMMOBILIZER SYSTEM CAN MEMORISE UP TO FOUR KEYS.**

**DATA STORAGE OPERATION CAN ONLY BE PERFORMED AT THE DEALER'S.**

**DATA STORAGE PROCEDURE CANCELS THE EXISTING CODES. THEREFORE, IF A CUSTOMER WANTS TO PROGRAM SOME NEW KEYS, S/HE SHOULD GO TO THE DEALER TAKING ALL THE KEYS S/HE WANTS TO ENABLE.**

In the event the instrument panel detects a fault with the immobilizer system when the key is connected, you will need to enter the user code to start the motorcycle. At the same time the indicator light appears on the instrument panel, the general red warning light will come on.

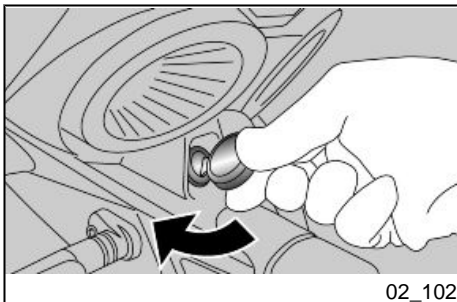
Once the code has been correctly entered, the error will be displayed on the screen. It is then possible to start the motorcycle so you can go immediately to an Authorized **Moto Guzzi** Dealership.

#### IMPORTANT

**PRESSING OR MOVING ANY CONTROL ON THE LEFT SWITCH CLUSTER, IT IS POSSIBLE TO REMOVE THE ERROR NOTIFICATION SCREEN, BUT THE SCREEN WILL BE VISIBLE AGAIN AFTER ABOUT 10 SECONDS.**

## Opening the saddle (02\_102, 02\_103, 02\_104)

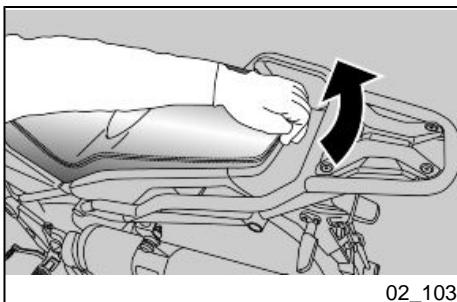
- Rest the vehicle on its stand.
- Insert the key in the saddle lock located under the rear headlamp.
- Turn the key clockwise.



- Slightly press the middle of the saddle's rear part so that the hook is easily released; lift and slide off the saddle backwards.

### IMPORTANT

**BEFORE LOWERING AND LOCKING THE SADDLE, MAKE SURE THAT THE IGNITION KEY HAS NOT BEEN FORGOTTEN IN AN UNSUITABLE POSITION UNDER THE SADDLE.**

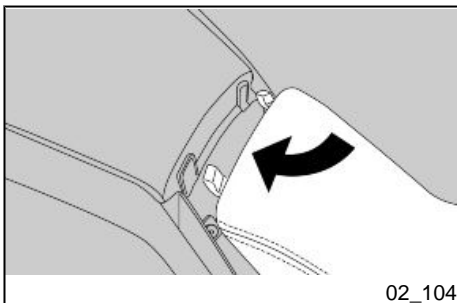


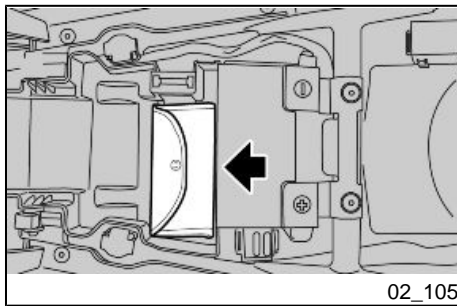
### To lock the saddle:

- Place the saddle's front part in its seat and lower the rear part.
- Press the rear part to trip the lock.



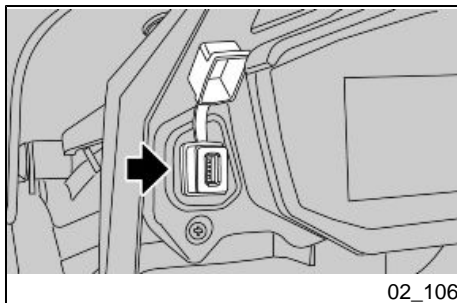
**BEFORE RIDING, MAKE SURE THAT THE SADDLE IS CORRECTLY LOCKED.**





### Glove/tool kit compartment (02\_105)

Remove the saddle to have access to the glove-box / toolkit compartment.



### USB Port (02\_106)

On the left side of the motorcycle, near the digital display is a USB port

To use it, remove the protection cap.



**TO PREVENT WATER AND/OR HUMIDITY FROM DAMAGING THE USB PORT,  
DO NOT CONNECT ANY DEVICES IN CASE OF RAIN.**



**IF A USB DEVICE IS CONNECTED, ENSURE THE CORRECT POSITIONING OF  
THE CABLE TO AVOID THAT IT WILL BE SMASHED.**

The USB port is active once the key is turned to «ON».

**WARNING**

PROLONGED USE OF THE USB PORT MAY PARTIALLY DRAIN THE BATTERY.

**USB PORT**

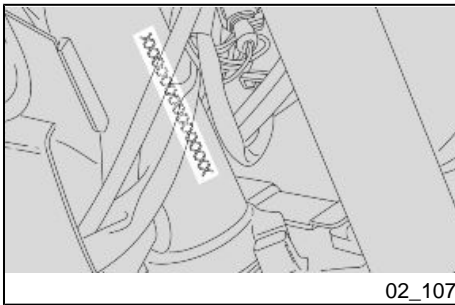
Output voltage:	(5.00+/-0.25) DC
Charge current	1A Max

**The identification (02\_107, 02\_108)**

Write down the chassis and engine number in the specific space in this booklet. The chassis number is handy when purchasing spare parts.

**IMPORTANT**

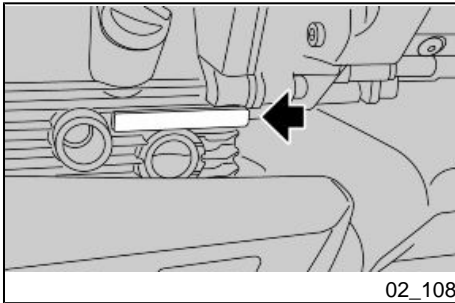
**THE MODIFICATION OF THE IDENTIFICATION CODES IS A SERIOUS PUNISHABLE CRIME. HOWEVER, THE LIMITED WARRANTY FOR NEW VEHICLES WILL BE VOID IF THE VEHICLE IDENTIFICATION NUMBER (VIN) HAS BEEN MODIFIED OR NOT PROMPTLY DETERMINED.**



### FRAME NUMBER

The chassis number is stamped on the RH side of the headstock.

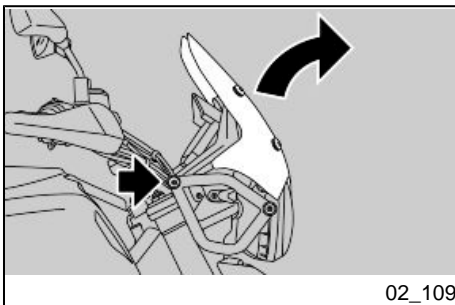
Chassis No. ....



### ENGINE NUMBER

The engine number is stamped on the left side, next to the engine oil filler plug.

Engine No. ....



### Windshield adjustment (02\_109)

It is possible to adjust the windscreen manually as follows:

- Working from both sides, loosen the two screws.
- Adjust the wind shield to the desired position and tighten the two screws.





# V85 TT - V85 TT Travel E5



**Chap. 03**  
**Use**

## Checks (03\_01)

### IMPORTANT

**BEFORE DEPARTURE, ALWAYS CARRY OUT A PRELIMINARY CHECK OF THE VEHICLE, FOR CORRECT AND SAFE OPERATION. FAILURE TO DO SO MAY LEAD TO SEVERE PERSONAL INJURY OR VEHICLE DAMAGE. DO NOT HESITATE TO CONTACT AN Official Moto Guzzi Dealer IF YOU DO NOT UNDERSTAND HOW SOME CONTROLS WORK OR IF MALFUNCTIONING IS DETECTED OR SUSPECTED. CHECKS DO NOT TAKE LONG AND RESULT IN SIGNIFICANTLY ENHANCED SAFETY.**

This vehicle has been programmed to indicate in real time any operation failure stored in the electronic control unit memory.



Every time the ignition switch is set to 'KEY ON', all indicator light turns on for approximately two seconds.

### PRE-RIDE CHECKS

Front and rear disc brake

Check for proper operation. Check brake lever empty travel and brake fluid level. Check for leaks. Check

	brake pads for wear. If necessary top-up with brake fluid.
Throttle grip	Check that the rotation is smooth in both directions and that there is no jamming.
Engine oil	Check and/or top-up as required.
Wheels/ tyres	<p>Check that tyres are in good conditions. Check inflation pressure, tyre wear and potential damage.</p> <p>Remove any possible strange body that might be stuck in the tread design.</p>
Brake levers	<p>Check they function smoothly.</p> <p>Lubricate the joints and adjust the travel if necessary.</p>
Clutch lever	Check correct operation and empty travel. Check the condition of the cable on the handlebar and on the engine. The cable must be replaced if it shows any signs of fraying. Lubricate the joints if necessary.
Steering	Check that the rotation is uniform, smooth and there are no signs of clearance or slackness.
Side stand	Check that it slides smoothly and that it snaps back to its rest position upon spring tension. Lubricate couplings and joints if necessary.

Clamping elements	<p>Check that the clamping elements are not loose.</p> <p>Adjust or tighten them as required.</p>
Fuel tank	<p>Check level and refill if necessary.</p> <p>Check the circuit for leaks or obstructions.</p> <p>Check that the tank cap closes correctly.</p>
Engine stop switch (ON - OFF)	Check function.
Lights, warning lights, horn, rear stop light switch and electrical devices	<p>Check function of horn and lights.</p> <p>Replace bulbs or repair any faults noted.</p>
Tone wheels	Check that the tone wheels are perfectly clean and in good conditions.

## Refueling (03\_02)

### IMPORTANT

**THE FUEL IS EXTREMELY INFLAMMABLE AND MAY BECOME EXPLOSIVE IN CERTAIN CONDITIONS.**

**FOR THIS REASON, IT IS NECESSARY TO REFUEL THE VEHICLE AND PERFORM MAINTENANCE OPERATIONS INVOLVING THE FUEL SYSTEM IN A WELL VENTILATED AREA, WITH THE ENGINE SWITCHED OFF.**

**DO NOT REFUEL AND DO NOT PERFORM MAINTENANCE OPERATIONS WITH THE ENGINE RUNNING.**

**DO NOT SMOKE WHILE REFUELING OR IN PROXIMITY TO DANGEROUS FUMES. NEVER ALLOW THE FUEL TO COME INTO CONTACT WITH FLAMES, SPARKS OR HEAT SOURCES. TRY TO CAREFULLY AVOID FUEL SPILLAGE WHILE REFUELING. FUEL SPLASHES MAY IGNITE IF THEY COME INTO CONTACT WITH THE HOT ENGINE OR WITH THE EXHAUST SYSTEM SURFACES. IN CASE OF ACCIDENTAL FUEL SPILLAGE, MAKE SURE THAT THE FUEL HAS COMPLETELY DRIED OUT OR EVAPORATED BEFORE STARTING THE VEHICLE.**

**AVOID THE FUEL COMING INTO CONTACT WITH YOUR SKIN AND AVOID INHALING THE FUMES EMITTED BY THE FUEL.**

**NEVER ATTEMPT TO TRANSFER FUEL FROM ONE CONTAINER TO ANOTHER USING YOUR MOUTH AS TRANSFER MEANS. USE A MANUAL PUMP OR A SIMILAR TOOL.**

#### **IMPORTANT**

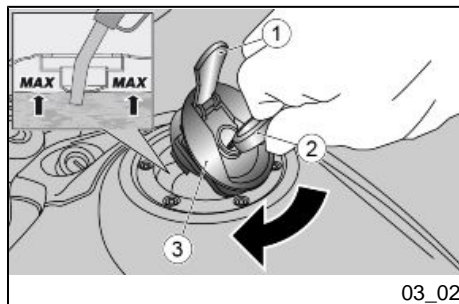
**THE FUEL IS POISONOUS AND CARCINOGENIC AND CONTAINS CHEMICALS THAT CAUSE IMPAIRMENTS AND SEVERAL BIRTH PROBLEMS.**

**IF YOU ACCIDENTALLY SPILL FUEL ON THE SKIN OR CLOTHES, CLEAN IMMEDIATELY WITH WATER AND SOAP AND CHANGE CLOTHES.**

**IF THE FUEL ACCIDENTALLY COMES INTO CONTACT WITH YOUR EYES, RINSE THEM WITH PLENTY OF WATER AND IMMEDIATELY SEEK MEDICAL ATTENTION. IF YOU ACCIDENTALLY INGEST FUEL, DO NOT INDUCE VOMITING. DRINK A LARGE AMOUNT OF MILK OR WATER AND CONTACT A DOCTOR AS SOON AS POSSIBLE.**

**IF YOUR VEHICLE TIPS OVER, IT WILL LOSE FUEL, WHICH IS EXTREMELY INFLAMMABLE. FLAMES AND SPARKS MAY RESULT IN SERIOUS FIRES THAT WILL NOT ONLY DESTROY YOUR VEHICLE, BUT WILL ALSO BE EXTREMELY DANGEROUS FOR THE SURROUNDING VEHICLES AND BUILDINGS, WHICH MAY CAUSE VERY SERIOUS INJURIES AND EVEN DEATH.**

**ALWAYS KEEP THE FUEL AWAY FROM CHILDREN. DISPOSE OF CORRECTLY; DO NOT DRAIN IT INTO THE SEWAGE SYSTEM OR AT THE BATHROOM.**



## Characteristic

### Fuel

Unleaded gasoline E10 (95 R.O.N.)

To refuel:

- Lift the cover (1).
- Insert the key (2) into the tank plug lock.
- Turn the key clockwise, pull and open the fuel cap (3).

### IMPORTANT



**ALWAYS USE PETROL WITH A MAXIMUM OF 10% BIOETHANOL CONTENT (E10).**

**DO NOT USE PETROL WITH AN ETHANOL CONTENT HIGHER THAN 10%; THIS USE COULD DAMAGE THE FUEL SYSTEM COMPONENTS AND/OR COMPROMISE ENGINE PERFORMANCE.**

## Characteristic

### Fuel tank capacity (including reserve)

6.08 +/- 0.26 US gal (5.06 +/- 0.22 UK gal; 23 +/- 1 l)

### Fuel tank reserve capacity

1.32 +/- 0.13 US gal (1.10 +/- 0.11 UK gal; 5 +/- 0.5 l)

### NOTE

**DO NOT FILL THE TANK UP TO THE RIM; FUEL MAXIMUM LEVEL MUST ALWAYS BE BELOW THE LOWER EDGE OF THE FILLER NECK (SEE FIGURE).**

- Refill.

**IMPORTANT**

**DO NOT ADD ADDITIVES OR ANY OTHER SUBSTANCES TO THE FUEL.  
WHEN USING A FUNNEL, ENSURE THAT IT IS PERFECTLY CLEAN.**



**DURING REFUELLING AVOID FUEL LEAKAGES, WHICH MAY CAUSE DAMAGE  
TO THINGS OR PERSONS AND FIRE HAZARD.**

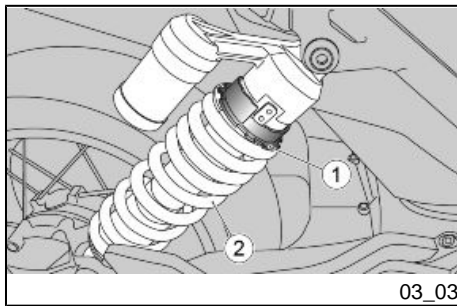
**DURING REFUELLING, AVOID THE USE OF ELECTRIC DEVICES AND/OR MO-  
BILE PHONES, BECAUSE FUEL VAPOURS MAY CAUSE DAMAGE TO OBJECTS  
AND/OR PERSONAL INJURIES.**

**After refuelling:**

- The cap can only be closed if the key (2) is inserted.
- Once the key (2) is inserted, press the cap to close it again.
- Remove the key (2).
- Close the cover (1).



**MAKE SURE THE CAP IS TIGHTLY CLOSED.**



03\_03

## Rear shock absorbers adjustment (03\_03, 03\_04)

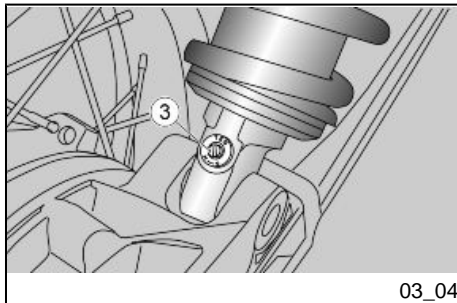
The shock absorber has an adjuster ring (1) in order to regulate the spring preload (2).

### NOTE

**IT IS POSSIBLE TO VARY THE PRE-LOAD OF THE SHOCK ABSORBER, DEPENDING ON THE LOAD ON THE VEHICLE (PASSENGER OR HEAVY LOAD).**

### IMPORTANT

**DO NOT FORCE THE ROTATION OF THE ADJUSTMENT SCREW BEYOND THE LIMIT STOP IN BOTH DIRECTIONS, IN ORDER TO PREVENT ANY DAMAGE.**



03\_04

On the lower part of the shock absorber there is an adjuster (3) to adjust the rebound braking.

### IMPORTANT

**DO NOT FORCE THE ROTATION OF THE ADJUSTMENT SCREW BEYOND THE LIMIT STOP IN BOTH DIRECTIONS, IN ORDER TO PREVENT ANY DAMAGE.**

## Spring pre-load

By adjusting the spring pre-load, the seat of the spring itself is moved. Carrying out the adjustment, you can decrease or increase the stiffness of the spring and therefore lower or raise the height of the rear of the vehicle. The spring pre-load is essential for the function performed by the rear shock absorbers. If the spring pre-load is not adjusted correctly, no other adjustment will be effective to obtain good shock absorber performance.

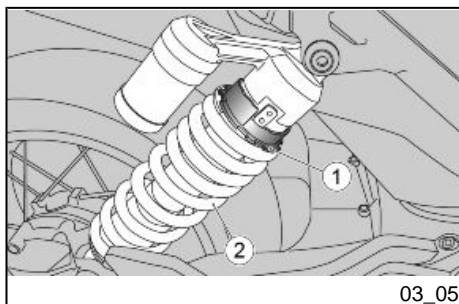
### Rebound braking

Rebound braking controls the energy absorption when the shock absorber is in the rebound phase. In other words, rebound braking adjusts the speed at which the shock absorber returns to the normal position after having been compressed.

### Setting rear shock absorbers (03\_05, 03\_06)

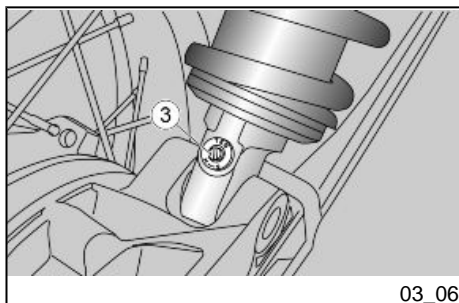
#### Spring pre-load adjustment

Turn the adjuster ring (1) with a hook spanner to adjust the shock spring preload (2). Rotate the ring adjuster (1) clockwise to increase the pre-load or anticlockwise to decrease the pre-load.



#### Rebound braking adjustment

Rebound braking adjustment is carried out by rotating the adjuster (3) located on the bottom part of the shock absorber. Rotate the ring adjuster clockwise to increase rebound braking or anticlockwise to decrease rebound braking.



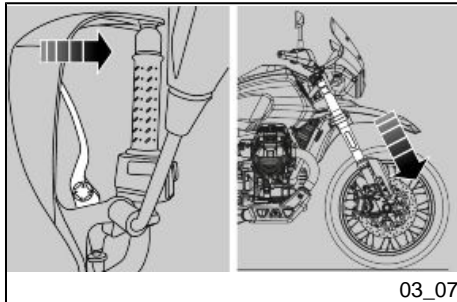
Follow the instructions in the tables below for the optimal setting of the vehicle according to the conditions of use.

## RECOMMENDED SETTING

TYPE OF ADJUSTMENT	RIDER ONLY	RIDER + BAGS AND TOP CASE OR RIDER + PASSENGER	RIDER + PASSENGER + BAGS AND TOP CASE
PRE-LOAD (RING)	1 notch	3 notches	7 notches
HYDRAULIC BRAKING (ADJUSTER) - FROM COMPLETELY CLOSED (*) OPEN (**)	2 turns	1 a turn	0.5 turns

(\*) = clockwise

(\*\*) = anticlockwise



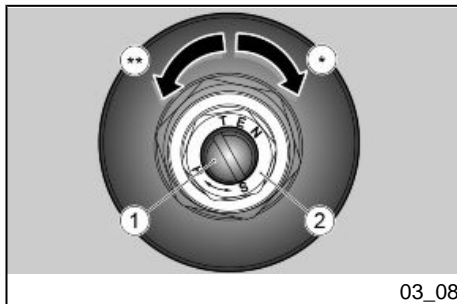
### Front Fork Adjustment (03\_07, 03\_08)

Operating the front brake lever, press the handlebar repeatedly to send the fork fully down. The shock absorber should compress and extend smoothly with no signs of oil leakage on the stanchions.

Check the tightening of all the elements and the correct operation of the front and rear suspension joints.

#### IMPORTANT

**TO HAVE THE FRONT FORK OIL AND OIL SEALS REPLACED, CONTACT AN Official Moto Guzzi Dealer.**



03\_08

The front suspension consists of a hydraulic fork connected to the headstock by means of two plates.

The right stem of the fork has an upper nut (2) for adjusting the spring pre-load and an upper adjustment screw (1) for adjusting the hydraulic braking in rebound.



**DO NOT FORCE THE ROTATION OF THE ADJUSTMENT SCREW BEYOND THE LIMIT STOP IN BOTH DIRECTIONS, IN ORDER TO PREVENT ANY DAMAGE.**

**WHEN SPRING PRE-LOAD IS INCREASED, REBOUND DAMPING MUST ALSO BE INCREASED TO PREVENT EXCESSIVE SUSPENSION KICKBACK WHEN RIDING.**

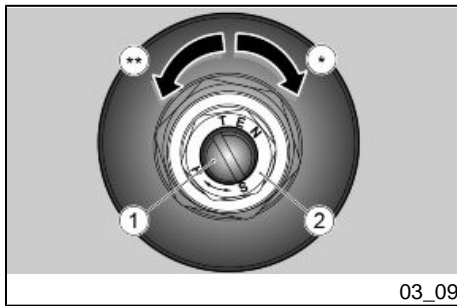
The standard front fork setting is adjusted to suit most high and low speed riding conditions, whether the vehicle is partially or fully loaded.

However, the setting can be modified for specific needs according to vehicle use.

#### **IMPORTANT**

**FOR THE CORRECT SETTING PARAMETERS, READ THE PARAGRAPH "SETTING THE FRONT FORK" CAREFULLY.**

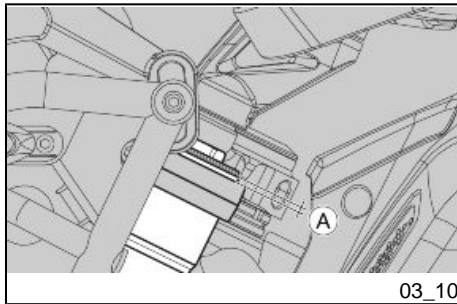
**IF NECESSARY, CONTACT AN Official Moto Guzzi Dealer.**



### Front fork settings (03\_09, 03\_10)



TO COUNT THE NUMBER OF CLICKS AND/OR REVOLUTIONS OF ADJUSTMENT SETTINGS ALWAYS START FROM THE MOST RIGID SETTING (WHOLE CLOCKWISE ROTATION OF THE SETTING).



### RECOMMENDED SETTING

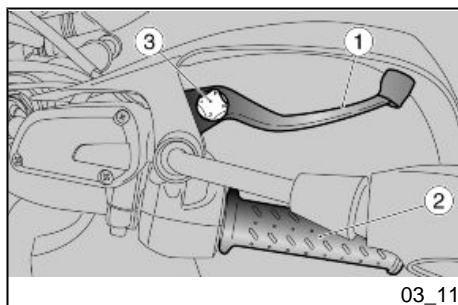
TYPE OF ADJUSTMENT	RIDER ONLY	RIDER + BAGS AND TOP CASE OR RIDER + PASSENGER	RIDER + PASSENGER + BAGS AND TOP CASE
PRE-LOAD (NUT) - FROM COMPLETELY CLOSED (*) OPEN (**)	1 notch	1 notch	1 notch
HYDRAULIC BRAKING (ADJUSTER) - FROM COMPLETELY CLOSED (*) OPEN (**)	10 clicks	10 clicks	10 clicks

TYPE OF ADJUSTMENT	RIDER ONLY	RIDER + BAGS AND TOP CASE OR RIDER + PASSENGER	RIDER + PASSENGER + BAGS AND TOP CASE
STANCHION PROTRUSION (A) (***) FROM TOP YOKE (EXCLUDING COVER)	1 notch	1 notch	1 notch

(\*) - Clockwise

(\*\*) - Anticlockwise

(\*\*\*) - this type of adjustment may only be made by an **Authorised Moto Guzzi Dealer**.



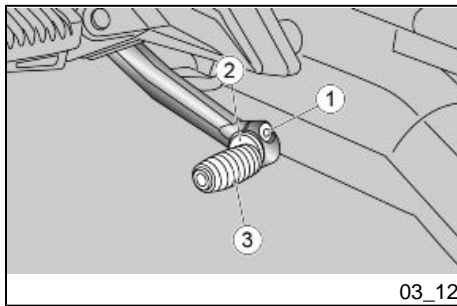
### Front brake lever adjustment (03\_11)

It is possible to adjust the distance between the end of the lever (1) and the grip (2), turning the adjuster (3).

- Push the control lever (1) forwards and turn the adjuster (3) until the lever (1) is at the desired distance.
- Turning the adjuster anticlockwise, the lever (1) gets closer to the grip (2).

#### IMPORTANT

**IF THE FRONT BRAKE LEVER MUST BE REMOVED, CHECKED AND CHANGED BY AN Official Moto Guzzi Dealership**



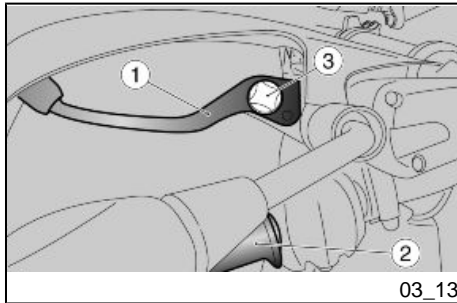
## Rear brake pedal adjustment (03\_12)

The control levers are positioned ergonomically when the vehicle is being assembled. if necessary, it is possible to customise the position of the levers.

- Rest the vehicle on its stand.
- Partially undo the screw (1).
- Turn the cam (2) finding the best position for the pedal (3).
- Tighten the screw (1) and check the cam is stable in position.

### IMPORTANT

**TO ADJUST THE BRAKE LEVER CLEARANCE, CONTACT AN Official Moto Guzzi Dealer.**



## Clutch lever adjustment (03\_13, 03\_14, 03\_15)

It is possible to adjust the distance between the end of the lever (1) and the grip (2), turning the adjuster (3).

- Push the control lever (1) forwards and turn the adjuster (3) until the lever (1) is at the desired distance.
- Turning the adjuster anticlockwise, the lever (1) gets closer to the grip (2).

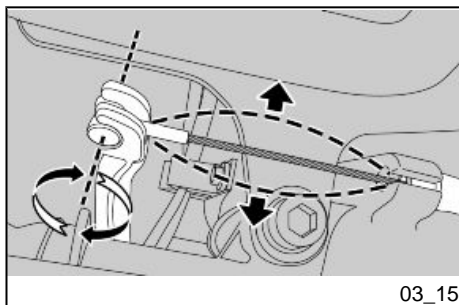
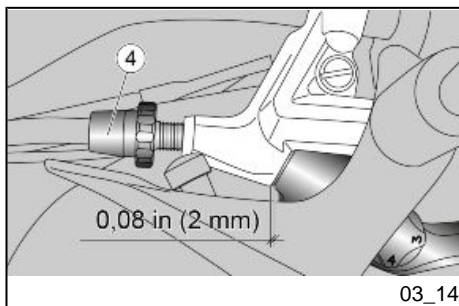
Adjust the clutch when the engine stops or the vehicle tends to move forward even when clutch lever is operated and the gear engaged, or if the clutch "slides", resulting in acceleration delay considering the engine revs.

- In order to maintain a correct tension and an optimal clutch operation, it is necessary to check and if necessary provide tension to the cable:
- Urban use every 621.37 mi (1000 km)
- Extra urban use every 3106.86 mi (5000 km)

- In any case, every time you detect that the clutch has disengaged before the standard factory setting.

To adjust, do the following:

- Turn the adjustment screw (4) with the straight handlebar until the empty travel corresponding to the fixed abutment on the handlebar is 0.08 in (2 mm)
- Push the clutch control lever on the gearbox housing towards the rear wheel
- Pull the clutch control lever placed on the gearbox towards the opposite side (as in point 2) checking that the cable is not tightened.
- During the previous operation, check that the cable lug turns freely around its axis, regarding the clutch lever
- Tighten the adjuster (4)
- If after the adjustment at "point 1" it is not possible to ascertain the condition of "point 4", contact an Authorized **Moto Guzzi Dealer** to check the proper operation of the clutch control.
- If the adjuster stroke (6) is not sufficient to ensure the required clearance, contact an Authorized **Moto Guzzi Dealer**



## Running-In

Running in is essential to ensure the durability of the vehicle. During the first 932 mi (1500 km), observe the following rules to ensure the reliability and performance of the vehicle throughout its lifetime:

- Avoid full throttle starts and hard acceleration;
- Avoid exceeding 4500 rpm (rpm);

- Avoid hard or prolonged braking;
- Do not ride for prolonged periods at sustained high speed; preferably ride the motorcycle on varied routes with frequent, gentle acceleration and deceleration;
- Ride prudently to gradually gain familiarity with the motorcycle, testing progressively higher throttle apertures only as you gain confidence

**IMPORTANT**

**THIS VEHICLE IS EQUIPPED WITH A SINGLE DISC DRY CLUTCH. IN CERTAIN CONDITIONS, THE CLUTCH MAY EMIT A SLIGHT AND DISTINCTIVE ODOUR OF CLUTCH MATERIAL. THIS IS NORMAL AND IS NOT INDICATIVE OF A FAULT.**

**IMPORTANT**

**THE FULL PERFORMANCE OF THE VEHICLE IS ONLY AVAILABLE AFTER THE SERVICE AT THE END OF THE RUNNING IN PERIOD.**



**TO PREVENT THE RISK OF INJURY TO YOURSELF OR OTHERS AND/OR DAMAGE TO THE VEHICLE, TAKE THE YOUR MOTORCYCLE TO AN AUTHORISED Moto Guzzi DEALER AT THE SPECIFIED MILEAGE INTERVALS TO HAVE THE CHECKS LISTED IN THE "SCHEDULED MAINTENANCE TABLE" CARRIED OUT.**

**Starting the engine (03\_16, 03\_17, 03\_18)**

This vehicle is extremely powerful and must be used carefully and driven with caution and respect for its power and potential.

Do not place objects inside the top fairing (between the handlebar and the instrument cluster), as this may impede the movements of the handlebar and obstruct visibility of the instruments.



**EXHAUST FUMES CONTAIN CARBON MONOXIDE, AN EXTREMELY HARMFUL SUBSTANCE IF INHALED.**

**NEVER START THE ENGINE IN A CLOSED OR INSUFFICIENTLY VENTILATED SPACE.**

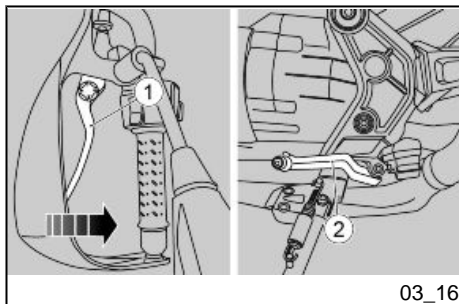


**FAILURE TO OBSERVE THIS WARNING COULD LEAD TO UNCONSCIOUSNESS AND EVEN DEATH DUE TO SUFFOCATION.**

#### **IMPORTANT**

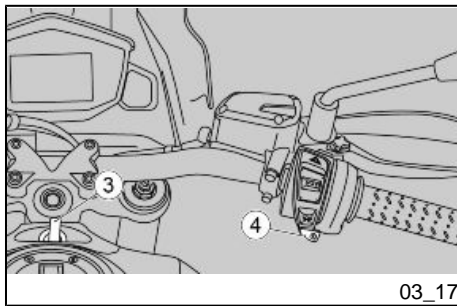
**WITH THE SIDE STAND LOWERED, THE ENGINE MAY ONLY BE STARTED WITH THE GEARBOX IN NEUTRAL. IF YOU ATTEMPT TO ENGAGE THE GEAR, THE ENGINE WILL STOP.**

**WITH THE SIDE STAND RETRACTED, THE ENGINE MAY BE STARTED WITH THE GEARBOX IN NEUTRAL OR WITH THE GEAR ENGAGED AND THE CLUTCH LEVER OPERATED.**



03\_16

- Get on the motorcycle, assuming the correct driving posture.
- Make sure that the side stand has been fully retracted.
- Operate the front or rear brake (or both).
- Operate the clutch lever (1) and make sure that the transmission (2) is in neutral.



03\_17

- Turn the ignition key (3) to "ON".

At this stage:

- The starting screen will be displayed on the digital display for about 2 seconds and then the screen with the standard parameters will appear.
- All the indicator lights on the dashboard will come on for about 2 seconds.
- Press the starter button (4) once only.
- With the engine running as usual, all current parameters will be shown on the display.



**IF THE LOW FUEL WARNING LIGHT ON THE DASHBOARD TURNS ON, REFUEL THE VEHICLE AT ONCE.**



**INTENSE USE/ON THE TRACK IN RESERVE CAN DAMAGE THE ENGINE.**



**ON NEW VEHICLES, THE GEAR SHIFT THRESHOLD IS SET TO 5200 RPM. RAISE THE THRESHOLD GRADUALLY UNTIL YOU HAVE BECOME FAMILIAR WITH THE VEHICLE AND THE RUN-IN HAS BEEN COMPLETED.**



AFTER A FEW SECONDS FROM THE ENGINE START-UP, THE START-UP BUTTON WILL FUNCTION AS RIDING MODE CHANGE BUTTON.



IF THE GENERAL WARNING INDICATOR LIGHT ON THE INSTRUMENT PANEL LIGHTS UP, IT MEANS THAT THE CONTROL UNIT HAS ENCOUNTERED A FAULT, THEREFORE IT IS NECESSARY TO CONTACT AN Authorized Moto Guzzi Dealer.

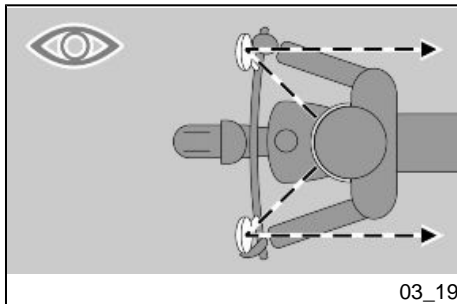


DO NOT SET OFF SUDDENLY WHEN THE ENGINE IS COLD. RIDE AT LOW SPEED FOR SEVERAL KILOMETRES. THIS WILL ALLOW THE ENGINE TO WARM UP AND REDUCE POLLUTING EMISSIONS AND FUEL CONSUMPTION.

### Moving off / riding (03\_19, 03\_20, 03\_21)

#### IMPORTANT

THE ECU INSTALLED ON THIS MOTORCYCLE COMPENSATES FOR INCREASED ELECTRIC POWER CONSUMPTION BY TEMPORARILY RAISING THE IDLE SPEED; VARIATIONS IN ENGINE SPEED WITHIN THIS RANGE ARE THEREFORE NORMAL.



**IF THE LOW FUEL WARNING LIGHT ON THE DASHBOARD TURNS ON, REFUEL THE VEHICLE AT ONCE.**

#### **WARNING**

**IF THE MOTORCYCLE TURNS OFF ACCIDENTALLY THE ECU ALLOWS A RESTART WITHIN THE NEXT 5 SECONDS. ONCE THIS PERIOD OF TIME HAS PASSED THE ECU WILL PREVENT STARTING FOR ANOTHER 3 SECONDS AND ONLY THEN WILL IT BE POSSIBLE TO START THE MOTORCYCLE.**

#### **IMPORTANT**

**WHEN TRAVELLING WITHOUT PASSENGERS, MAKE SURE THE PASSENGER FOOTRESTS ARE FOLDED UP.**

#### **IMPORTANT**

**PASSENGERS MUST BE SUITABLY INSTRUCTED ON HOW TO BEHAVE TO PREVENT DANGEROUS SITUATIONS WHEN RIDING.**

**BEFORE SETTING OFF, MAKE SURE THE STAND HAS BEEN COMPLETELY RETRACTED TO ITS POSITION.**

**To start:**

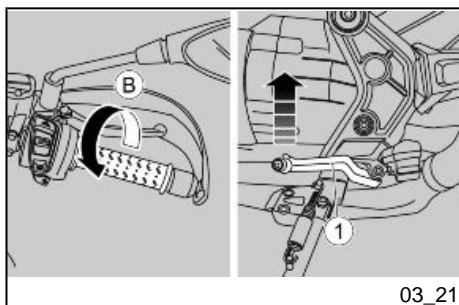
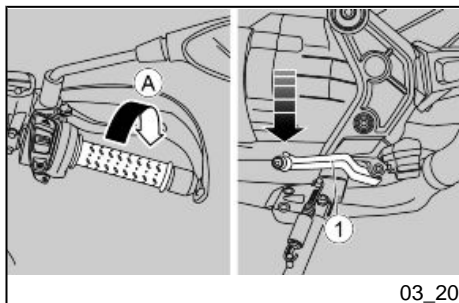
- Turn on the engine.
- Adjust the inclination of the rear-view mirrors to ensure proper visibility.

#### **IMPORTANT**



**WITH THE VEHICLE AT STANDSTILL, PRACTICE USING THE REAR-VIEW MIRRORS. THE MIRRORS ARE CONVEX, SO OBJECTS MAY SEEM FARTHER AWAY THAN THEY REALLY ARE. THESE MIRRORS OFFER A WIDE-ANGLE**

**VIEW AND ONLY EXPERIENCE HELPS YOU JUDGE THE DISTANCE SEPARATING YOU AND THE VEHICLE BEHIND.**



- With a closed throttle grip (Pos. A) and the engine idling, pull the clutch lever.
- Push the gearbox lever (1) downward to select the first gear.
- Release the clutch lever (activated during start-up).

#### **IMPORTANT**

**WHEN TURNING OFF THE VEHICLE, DO NOT RELEASE THE CLUTCH TOO QUICKLY OR SUDDENLY, AS THIS COULD CAUSE THE ENGINE TO STOP OR THE VEHICLE TO REAR UP ON THE BACK WHEEL. DO NOT ACCELERATE SUDDENLY WHEN RELEASING THE CLUTCH FOR THE SAME REASON.**

- Slowly release the clutch lever and accelerate by slightly turning the throttle grip at the same time (Pos. B).

The vehicle starts moving forward.

- Ride at moderate speed for the first kilometres/miles to allow the engine to warm up.
- Speed up by gradually turning the throttle grip (Pos. B) without exceeding the recommended revs.



**RIDE IN THE CORRECT GEAR AND SPEED FOR THE CONDITIONS.  
DO NOT OPERATE THE THROTTLE GRIP ABRUPTLY.**

- Release the throttle grip (Pos. A), operate the clutch lever and lift the gear control lever (1), release the clutch lever and accelerate.
- Repeat the last two operations and engage a higher gear.



**IT IS SUGGESTED TO GO UP TO A HIGHER GEAR THAN TO A LOWER GEAR:**

- When riding downhill and under braking, using engine compression to increase braking power.
- When going uphill, when the engaged gear does not suit the speed (high gear, moderate speed) and the number of engine revs falls.

#### **IMPORTANT**

**DOWN-SHIFT ONE GEAR AT A TIME; WHEN SHIFTING TO A LOWER GEAR, DOWN-SHIFTING MORE THAN ONE GEAR AT A TIME COULD OVER-REV THE ENGINE; THAT IS, THE MAXIMUM RPM VALUE PERMITTED FOR THE ENGINE COULD BE EXCEEDED.**

- Release the throttle grip (Pos. A).
- If necessary, pull the brake levers gently and reduce speed.
- Operate the clutch lever and lower the gearshift lever (1) to engage a lower gear.
- Release the brake levers when it is operated.
- Release the clutch lever and accelerate moderately.



**IN ORDER TO AVOID CLUTCH OVERHEATING, SHUT THE ENGINE OFF AS SOON AS POSSIBLE ONCE THE VEHICLE HAS STOPPED AND AT THE SAME TIME THE GEAR IS ENGAGED AND THE CLUTCH LEVER OPERATED.**



**OPERATE THE FRONT OR THE REAR BRAKE ONLY SIGNIFICANTLY REDUCES THE BRAKING FORCE OF THE VEHICLE.**

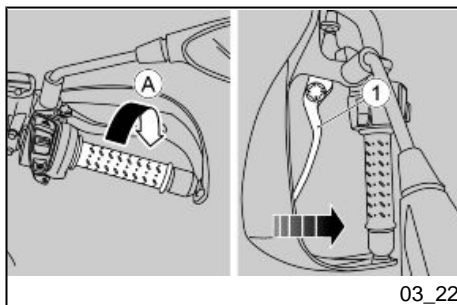
**WHEN STOPPING UPHILL, DECELERATE COMPLETELY AND ONLY USE THE BRAKES TO MAINTAIN THE VEHICLE IN THE STOPPED POSITION.**

**USING THE ENGINE TO KEEP THE MOTORCYCLE STOPPED COULD CAUSE THE CLUTCH TO OVERHEAT. BRAKING CONTINUOUSLY WHEN DRIVING DOWNHILL COULD CAUSE THE BRAKE PADS TO OVERHEAT, WHICH REDUCES BRAKING AND LIMITS BRAKING POWER.**

**IT IS RECOMMENDED TO USE THE ENGINE COMPRESSION, DOWNSHIFTING AND USING BOTH BRAKES INTERMITTENTLY.**

**WHEN DRIVING DOWNHILL, NEVER RIDE WITH THE ENGINE TURNED OFF.**

**WHEN RIDING ON WET SURFACES OR SURFACES WITH POOR GRIP (SNOW, ICE, MUD, ETC.) USE MODERATE SPEED, AVOID SUDDEN BRAKING OR MANOEUVRES THAT MAY CAUSE TO A LOSS OF TRACTION AND POSSIBLY TO A FALL OR CRASH.**



03\_22

### Stopping the engine (03\_22)

- Release the throttle grip (Pos. A), brake gradually and simultaneously downshift to slow down.

#### Once the speed is reduced, before stopping the vehicle:

- Operate the clutch lever (1) so that engine does not shut off.

#### When the vehicle is at standstill:

- Set the gear-shift lever to neutral ("N" symbol shown on the digital display and the green "N" indicator light on).
- Release the clutch lever (1).
- While at a temporary halt, keep at least one of the vehicle brakes held.

## IMPORTANT



**WHENEVER POSSIBLE, AVOID ROUGH BRAKING, SUDDEN DECELERATION AND BRAKING IN EXCESS.**

## Parking

It is very important to select an adequate parking spot, in compliance with road signals and the guidelines described below.

## IMPORTANT

**PARK ON SAFE AND LEVEL GROUND TO PREVENT THE VEHICLE FROM FALLING.**

**DO NOT LEAN THE VEHICLE AGAINST A WALL OR LAY IT ON THE GROUND.**

**ENSURE THAT THE VEHICLE AND, IN PARTICULAR, PARTS OF THE VEHICLE WHICH MAY BECOME HOT (ENGINE, EXHAUST SYSTEM, BRAKE DISCS) ARE NOT A HAZARD TO PERSONS OR CHILDREN. DO NOT LEAVE YOUR VEHICLE UNATTENDED WITH THE ENGINE ON OR THE KEY IN THE IGNITION SWITCH.**

## IMPORTANT

**IF THE VEHICLE FALLS OR IS ON A STEEP INCLINE FUEL CAN LEAK.**

**FUEL USED TO DRIVE INTERNAL COMBUSTION ENGINES IS HIGHLY FLAMMABLE AND CAN BECOME EXPLOSIVE UNDER CERTAIN CONDITIONS.**



**DO NOT REST THE RIDER OR PASSENGER WEIGHT ON THE SIDE STAND.**

## Catalytic silencer

The vehicle has silencers with a "platinum - palladium - rhodium three-way" metal catalytic converter.

This device oxidises the CO (carbon monoxide) producing carbon dioxide, and the UHC (unburned hydrocarbons) producing water vapour and reduces NOx (nitrogen oxide) producing oxygen and nitrogen present in the exhaust fumes.



**DO NOT PARK THE VEHICLE NEAR DRY BRUSHWOOD OR IN PLACES EASILY ACCESSIBLE BY CHILDREN BECAUSE THE CATALYTIC CONVERTER REACHES HIGH TEMPERATURES DURING VEHICLE OPERATION; FOR THIS REASON, PAY UTMOST ATTENTION AND DO NOT TOUCH IT UNTIL IT HAS COMPLETELY COOLED DOWN.**



**DO NOT USE LEADED PETROL AS IT CAUSES IRREPARABLE DAMAGE TO THE CATALYTIC CONVERTER.**

Vehicle owners are warned that the law may prohibit the following:

- the removal of any device or element belonging to a new vehicle or any other action by anyone leading to render it non-operating, if not for maintenance, repair or replacement reasons, in order to control noise emission before the sale or delivery of the vehicle to the ultimate buyer or while it is used;
- using the vehicle after that device or element has been removed or rendered non-operating.

Check the exhaust silencer and the silencer pipes, ensuring there are no signs of penetrative corrosion and that the exhaust system works properly.

If the noise produced by the exhaust system increases, get immediately in touch with the Dealer or with a Moto Guzzi authorised repair shop.

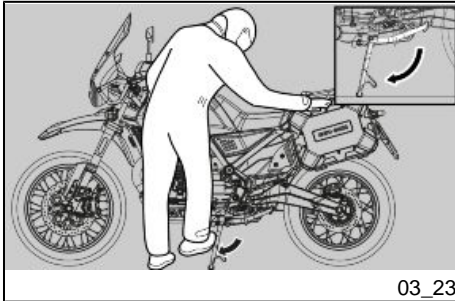
## NOTE

**DO NOT TAMPER WITH THE EXHAUST SYSTEM.**

### Stand (03\_23, 03\_24, 03\_25)



**THE SIDE STAND AND THE CENTRE STAND MUST ROTATE FREELY. IF NECESSARY GREASE THE JOINT.**



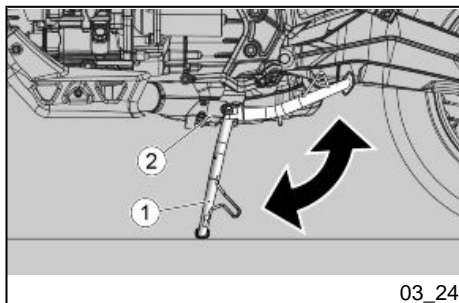
#### SIDE STAND

If the stand has been folded up for any manoeuvre (for example, when the vehicle is in motion), place the vehicle on the stand again as follows:

- Grasp the left grip and put the right hand on the upper rear part of the vehicle.
- Push the side stand with your right foot to fully extend the stand.
- Lean the vehicle until the stand touches the ground.
- Turn the handlebar fully leftwards.

#### IMPORTANT

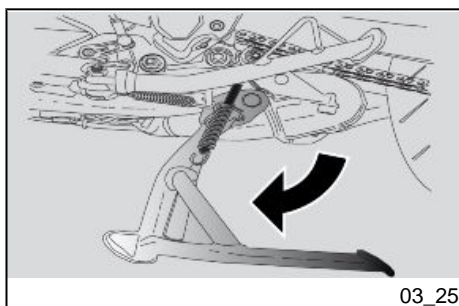
**MAKE SURE THE VEHICLE IS STABLE.**



A safety switch (2) is installed on the side stand (1) to inhibit ignition or to stop the engine when a gear is engaged and the side stand (1) is lowered.

**CHECK THAT THERE IS NO DIRT IN THE SWITCH AREA. IF POSSIBLE, CLEAN THE AREA AND CHECK THE LIGHT ON THE DASHBOARD WITH THE STAND DOWN.**

**IF WITH THE STAND OPEN, THE SIDE STAND WARNING LIGHT REMAINS OFF DESPITE CLEANING, PLEASE CONTACT an Authorised Moto Guzzi Dealer.**



### CENTRE STAND

(if applicable)

If the stand has been folded up for any manoeuvre (for example, when the vehicle is in motion), place the vehicle on the stand again as follows:

- Grasp the left hand grip with the left and the passenger grab bar on the upper rear part of the vehicle with the right hand.
- Push the centre stand down with your right foot and at the same time lift and pull the motorcycle backwards with your right hand.

### IMPORTANT

**MAKE SURE THE VEHICLE IS STABLE.**



**BEFORE SETTING OFF, MAKE SURE THE STANDS ARE COMPLETELY RETRACTED IN POSITION.**

**DO NOT REST THE RIDER OR PASSENGER WEIGHT ON THE SIDE STAND.**

## Suggestion to prevent theft

### IMPORTANT

**WHEN USING A DISC LOCKING DEVICE, PAY UTMOST ATTENTION TO REMOVE IT BEFORE RIDING. FAILURE TO OBSERVE THIS WARNING MAY CAUSE SERIOUS DAMAGE TO THE BRAKING SYSTEM AND ACCIDENTS WITH CONSEQUENT PHYSICAL INJURIES OR EVEN DEATH.**

NEVER leave the ignition key in the lock and always use the steering lock. Park the vehicle in a safe place such as a garage or a place with guards. Whenever possible, use an additional anti-theft device. Make sure all vehicle documents are in order and the road tax paid. Write down your personal details and telephone number on this page to help identifying the owner in case of vehicle retrieval after a theft.

SURNAME: .....

FIRST NAME: .....

ADDRESS: .....

TELEPHONE NO.: .....

### WARNING

**IN MANY CASES, STOLEN VEHICLES CAN BE IDENTIFIED BY DATA IN THE USE / MAINTENANCE BOOKLET**

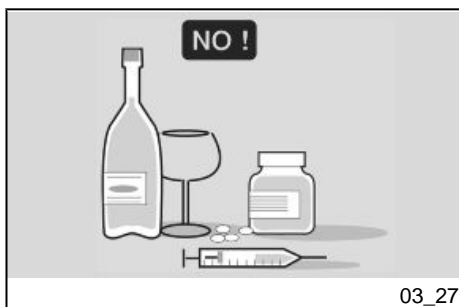
## Safe riding (03\_26, 03\_27, 03\_28, 03\_29, 03\_30, 03\_31, 03\_32, 03\_33, 03\_34, 03\_35, 03\_36, 03\_37, 03\_38, 03\_39, 03\_40, 03\_41, 03\_42, 03\_43, 03\_44, 03\_45, 03\_46, 03\_47, 03\_48)

### MAIN SAFETY RULES

The following instructions refer to the normal use of your vehicle and must be carefully observed. Observing these rules will allow you to increase your safety and that of the persons around you as well as maximise the life and usefulness of your vehicle. Two-wheeled vehicles obviously do not offer some of the protections normally provided on cars, so it is essential to wear suitable protective clothing. In particular, when riding the vehicle, always wear a helmet, gloves, protective goggles and a heavy jacket, sturdy footwear and durable long trousers. However, it must always be kept in mind that even the best clothing and helmet cannot protect you in the event of a fall or collision with another vehicle. These features protect you best from scratches and abrasions, but their protective function is minimal in the event of an impact. Make sure you meet all the requirements of the local law, including driver's license, minimum age, adequate preparation, insurance, taxes, vehicle registration, license plate, etc. As soon as you receive the vehicle, familiarise yourself by practising in areas with low traffic intensity. Avoid driving the vehicle in heavy traffic areas until you have gained a good experience and total safety in riding. Although this vehicle is approved for use on motorways and ring roads, it is recommended that you do not travel on these roads at high speed until you have become very familiar with the vehicle and have achieved a high degree of skill in use. A new vehicle must undergo an accurate break-in. Before starting the engine, make sure the brake, clutch, drive and throttle controls are working properly and check that the oil and fuel level is adequate. The exhaust system, brakes and some vehicle components can get very hot while riding. Do not touch these components. Consumption of certain drugs and medicines, illegal or prescribed, as well as alcohol greatly increases the risk of accidents. Do not drive while under the influence of alcohol or drugs, whether they are illegal or licensed by a doctor. Make sure that you are in good physical condition before driving your vehicle. Do not drive in conditions of particular fatigue or tiredness. Alcohol, drugs and fatigue are the main cause of accidents. Many accidents are due to the driver's inexperience. Do not ride your vehicle until you have received training from a recognized organization such as the Motorcycle Safety Foundation. Always keep in mind that driving a two-wheeled vehicle, while easy and fun, is very different from driving a car. Not necessarily an experienced car driver is able to safely drive a two-wheeled vehicle. NEVER lend the vehicle to other people if you are not sure that they are experts and in possession of

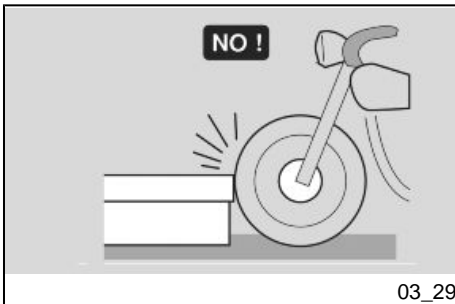


03\_26



03\_27

a driving license. Respect all the rules of the road traffic code. In particular, pay attention to all warning, traffic regulation and information signs.



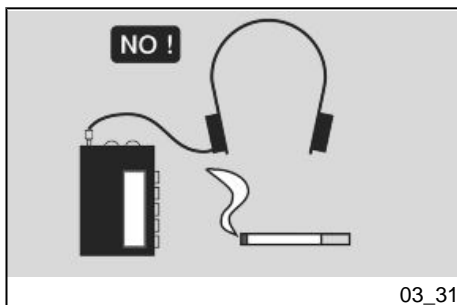
Avoid showing off with dangerous manoeuvres (e.g. rear up). In particular, respect the speed limits and remember that the conditions of the road surface vary according to the weather conditions; wet and icy roads are dangerous especially at high speed. Car drivers often find it difficult to see two-wheeled vehicles, so always give priority to cars even in cases where according to the road traffic code you would have priority. Before changing lanes, always check that the road is clear behind you. Do not rely solely on the rear view mirror as it could underestimate the distance and speed of a vehicle or even not see it at all. Avoid obstacles that could damage the vehicle or lead to loss of control of the vehicle. Do not drive close to vehicles like trucks or cars, in front of you and do not remain in their lane to increase speed. In the event of an accident, motorcycles, scooters and mopeds do not offer the same level of protection as cars. Especially the legs are exposed to the risk of injury. The additional installation of leg pads can concretely increase the risk of injury and the severity in the event of an accident. Do not install leg pads available on the spare parts and accessories market. Failure to follow these instructions can result in serious injury or even death. Always ride with both hands on the handlebars and feet on the foot pegs. Never change gear without using the clutch if your vehicle is equipped with one. Do not operate the shift lever or other controls abruptly and suddenly. Misuse of this type could damage the internal components of the vehicle resulting in seizure, loss of control, accidents and serious or even fatal injuries. Remain seated while driving. Do not stand up or try to stretch yourself while riding the vehicle. If you need to rest, pull over at a safe point on the road. It is very important for your safety to always drive with the utmost attention. Pay attention to your actions, do not get distracted by other vehicles, persons and/or things near the road, etc. Do not smoke, eat, drink, read, etc. while driving the vehicle. If you need to consult a road map, pull over and carry out the operation in complete safety. Use only the fuels and lubricants specified for the vehicle listed in the RECOMMENDED PRODUCTS TABLE; regularly check the coolant, fuel and oil levels. If the throttle remains locked, it could result in a collision with another vehicle or a fall. If the throttle remains locked, stop the engine with the engine stop switch located on the right handlebar. Do not try to restart the engine until the throttle has been repaired and is fully functional. Failure to observe this warning can result in loss of control resulting in serious injury or even death.

**IMPORTANT**

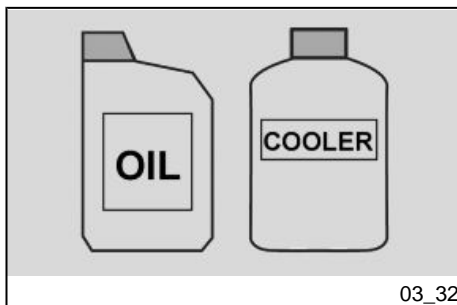
**IN THE EVENT OF AN EMERGENCY CAUSING THE THROTTLE TO LOCK, ALWAYS STOP THE ENGINE USING THE ENGINE STOP SWITCH LOCATED NEAR THE THROTTLE GRIP ON THE RIGHT SEMI-HANDLEBAR. DO NOT OPERATE THE VEHICLE IF THE THROTTLE DOES NOT AUTOMATICALLY RETURN COMPLETELY TO IDLE ONCE THE THROTTLE GRIP IS RELEASED. FOR REPAIRS, PLEASE CONTACT YOUR LOCAL Moto Guzzi Dealer. FAILURE TO OBSERVE THIS WARNING COULD LEAD TO SERIOUS ACCIDENT WITH CONSEQUENT INJURY OR EVEN DEATH.**



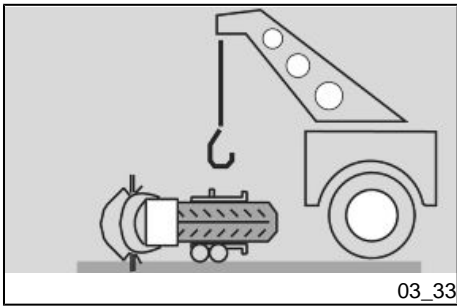
03\_30



03\_31



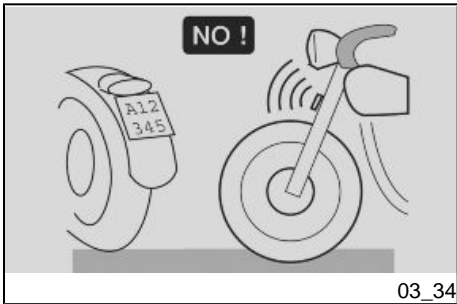
03\_32



If you have been involved in an accident with your vehicle, make sure that the control levers, pipes, cables, brake system or other vital components have not been damaged. If your vehicle has been involved in an accident, immediately contact your local **Moto Guzzi** dealer who has the necessary equipment and knowledge to check for any damage that could compromise your safety.

Your **Moto Guzzi** dealer can help you to solve all safety problems under the condition that all mechanical malfunctions are reported to him.

Do not use the damaged vehicle. A damaged vehicle could lose stability or have other problems that could increase the risk of an accident resulting in serious injury or even death.

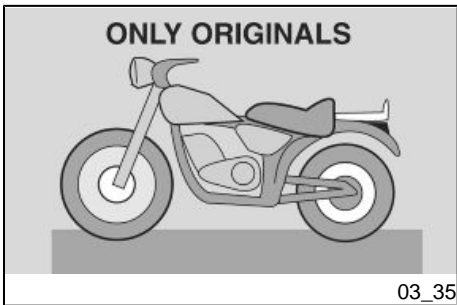


Do not try to change the position, angle or colour of your license plate. The license plate shall not be covered in any way, not even with transparent plastic. Do not modify the safety features of your vehicle, especially components such as turn indicators, rear view mirrors, lights or horns.

Any modification to the vehicle will result in the cancellation of the warranty.

Do not modify the engine in order to increase its power. This could cause irreparable damage to the engine as well as compromise its performance and vehicle handling resulting in a fall and serious or even fatal injuries.

To repair your vehicle, use only original **Moto Guzzi** accessories or **Moto Guzzi** approved accessories. The use of aftermarket accessories and parts can seriously affect the safety of your vehicle as well as its performance and use. Any changes that affect performance or safety void the entire warranty.

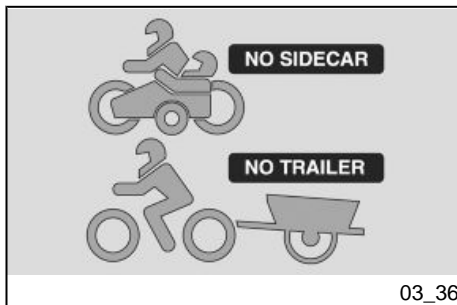


Tampering with the emission and noise control system is prohibited by law and can be severely punished.

For some jurisdictions, vehicle confiscation is also provided.

This vehicle is not intended to be equipped with a sidecar or to be used to tow trailers or other vehicles.

**Moto Guzzi** does not produce sidecars or trailers and can therefore not predict the consequences that these accessories may have on the handling and stability of the vehicle: however, it is warned that these effects could be negative and the guarantee is not recognised for any damage to components of the vehicle due to the use of accessories of this type.



03\_36

Never use your vehicle to compete with other vehicles.

Brake using both the front and rear brakes. Using only one brake in the event of hard braking could cause the vehicle to skid or cause the driver to lose control of the vehicle.

When driving downhill, take advantage of the engine's braking action by selecting the same gear or a lower gear than those normally used uphill. Use the front and rear brake with moderation.

Always travel at an adequate speed and avoid unnecessary sudden acceleration not only for greater safety, but also to reduce fuel consumption and increase the life of the vehicle.

When using the vehicle on wet or slippery surfaces, always bear in mind that grip decreases significantly. In these conditions, always manoeuvre the vehicle slowly and with the utmost caution.

Accelerating, braking, or sudden turns can cause you to lose control of the vehicle. When grip is reduced, accelerate and slow down using the engine braking force as much as possible. Avoid braking hard and too fast.

Slowly open and close the throttle to avoid spinning or skidding the rear wheel.

Slow down and drive carefully on uneven road surfaces.

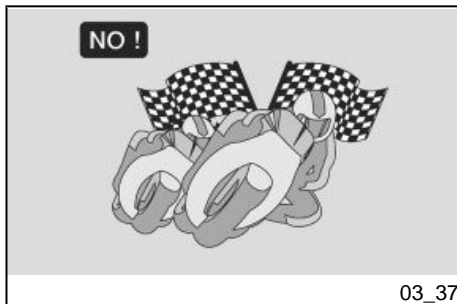
Avoid accelerating by turning the throttle completely except in cases of absolute necessity such as overtaking.

Do not let the engine work "under stress", that means too low a number of revolutions. Downshift to a lower gear. Do not run the engine excessively. Observe the red line on the speedometer.

Remember that excessively aggressive cornering can cause the tyre to lose grip on the tyre sidewall resulting in a fall and serious injury or even death.

Always respect the speed limits imposed by law taking into consideration that it is not always possible to drive up to the indicated speed limit in all road conditions. Slowing down slightly increases your safety considerably in all road conditions.

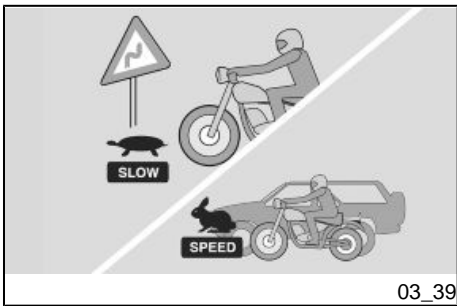
Do not ride the vehicle off-road.



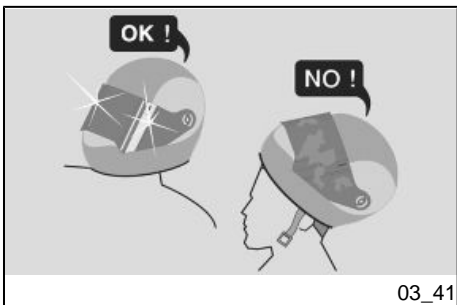
03\_37



03\_38



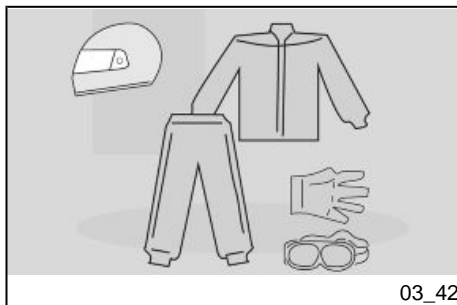
Do not tamper with the exhaust or emissions control system of your vehicle as this is not only a form of environmental protection, but could incur criminal penalties.



### CLOTHING

Before riding the vehicle, make sure your clothing is in suitable condition. Wear the helmet correctly making sure that the visor or goggles are clean.

Research and experience have shown that drivers of other vehicles often do not see the vehicles or motorcyclists. To make yourself more visible to other drivers, wear reflective clothing such as light-refracting vests or other types of clothing with reflective areas sewn onto the jacket, pants and gloves. Be especially careful of trucks and cars arriving from the oncoming lane as they may turn left right in front of you. Many traffic accidents are caused by a driver on the opposite side turning left without considering the vehicle in front.



03\_42

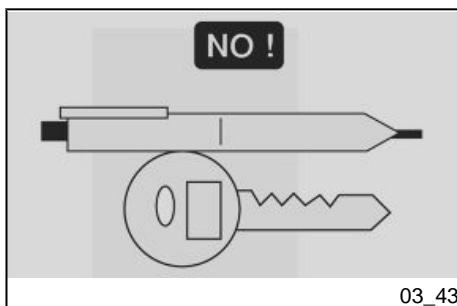
Inevitably, the driver in front of you will swear only having seen you when, after turning, being in your lane. Drive carefully!

Wear appropriate protective clothes, preferably light-coloured and/or in reflective material. This way you are more visible to other drivers, considerably reducing the risk of being hit and enjoying greater protection in the event of an accident.

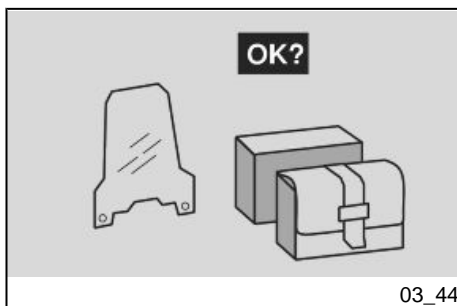
Always wear a helmet.

Clothing should be particularly tight and closed at the wrists and ankles. Cords, belts and ties shall not hang out; prevent these and other objects from interfering with driving as they can get entangled with moving parts or driving mechanisms.

Do not keep sharp objects in your pocket which could be dangerous in case of a fall, e.g. keys, lead pencil, etc. Make sure that the passenger also respects these recommendations.



03\_43



03\_44

### ACCESSORIES

The vehicle owner is responsible for the selection, installation and use of all accessories.

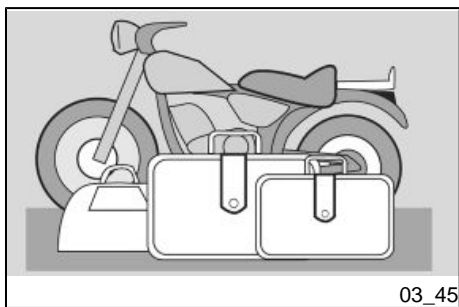
Installing inappropriate accessories or overloading the vehicle could make the vehicle unstable and lead to accidents resulting in serious injury or even death. Windscreens are particularly dangerous in the event of an accident as if they break they could injure or cut the rider. In case of doubt about any accessory to be installed or any load to be transported, we recommend you to consult your local **Moto Guzzi** dealer in advance.

Do not install accessories which cover or limit the operation of the horns or lights, which limit the suspension travel and the steering angle, which hinder the operation of the controls and reduce the ground clearance and lean angle when cornering .

Do not use accessories that hinder access to the controls as they may increase the reaction time in case of an emergency.

The fairings and windscreens mounted on the vehicle can give rise to aerodynamic forces such as to compromise the stability of the vehicle while riding, particularly at high speeds.

Make sure that everything that is mounted on the vehicle is securely fixed, cannot come off and lock wheels, forks, etc. Do not install electrical accessories and do not modify the vehicle electrical system. Any component that could cause an overload or electrical fault could result in the vehicle being stopped immediately, the lights or beeps turned off or dimmed, or malfunction of other safety accessories. Use only original **Moto Guzzi** accessories.



## LOADING

Do not overload the vehicle.

Secure bags or luggage as close to the vehicle's centre of gravity as possible and distribute the load as evenly as possible between the two sides to minimise imbalance. Always remember that loads tend to loosen during travel and therefore often check the safety of your load.

Do not let objects hang from the vehicle's semi-handlebars, mudguards or forks as they may impair the handling of the vehicle and prevent you from avoiding an accident. Failure to observe this warning can lead to a fall resulting in serious injury or even death.

Do not ride with the helmet hanging from the strap as it could easily get caught on the wheels, mudguard or forks causing a fall and result in serious injury or even death.

Only carry a passenger if the vehicle is equipped with passenger footrests, passenger grips and saddle.

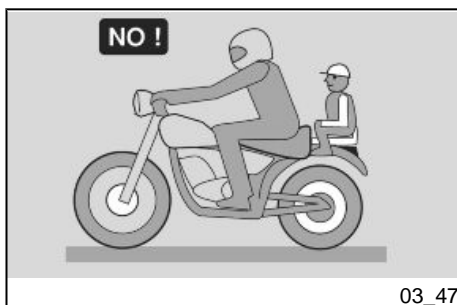


03\_46

When carrying a passenger, always remember that the vehicle has reduced handling, that the brakes are less effective and that the centre of gravity is higher and further back.

This favours the detachment of the front wheel from the ground especially during acceleration. Therefore, avoid abrupt acceleration and braking. Many accidents are caused by inexperienced riders carrying a passenger. Remember to carry out the riding manoeuvres with greater tolerance in case of excessive passenger weight.

Avoid sudden and excessive acceleration. Always slowdown in advance and calculate longer braking and manoeuvring distances. Failure to observe these instructions could result in the vehicle overturning or other accidents resulting in serious injury or even death.



03\_47

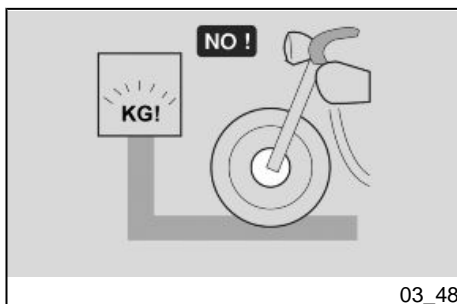
Never transport items that are not anchored and make sure that everything transported on the vehicle is carefully secured.

Do not carry luggage that protrudes from the luggage rack or that covers the lights, horn and headlamps.

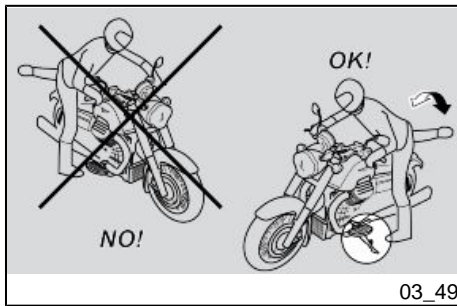
Do not carry animals or children on the glove box or luggage rack.

Never exceed the maximum load indicated for each bag.

Overloading your vehicle can seriously reduce its stability and handling leading to a fall resulting in serious injury or even death.



03\_48



### Basic safety rules (03\_49, 03\_50, 03\_51, 03\_52, 03\_53)

The following recommendations should receive your maximum attention, because they are provided to increase your safety, and decrease damage to people, things and vehicles, in the case of a fall of the rider or passenger from the vehicle and/or from the fall or overturning of the vehicle.

Mounting and dismounting the vehicle should always be performed with total freedom of movement and with the hands free of all objects. (i.e.- objects, helmet, gloves, or glasses).

Mount and dismount only on the left side of the vehicle, and only with the side stand lowered.

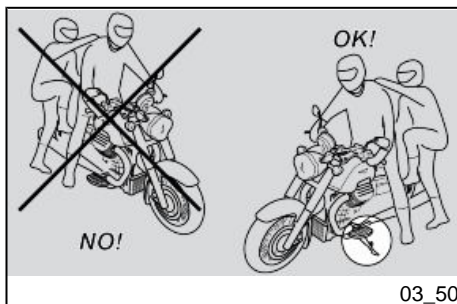
The stand is designed to support the weight of the vehicle and a small additional weight, which does not include the rider and passenger.

Mounting into driving position, with the side stand in place, is permitted only to prevent the possibility of the vehicle falling or overturn, and does not indicate the possibility for the rider and passenger's weight to be placed on the side stand.

During mounting and dismounting the vehicle's weight can cause a loss of balance, with consequent loss of equilibrium and the possibility of falling or overturning.

#### IMPORTANT

**THE RIDER SHOULD ALWAYS BE THE FIRST TO MOUNT AND THE LAST TO DISMOUNT FROM THE VEHICLE, AND SHOULD CONTROL THE STABILITY AND EQUILIBRIUM OF THE VEHICLE WHILE THE PASSENGER IS MOUNTING AND DISMOUNTING**



In any case, the passenger should mount and dismount the vehicle using caution to avoid causing the vehicle or the rider to lose balance.

#### **IMPORTANT**

**THE RIDER TO INSTRUCT THE PASSENGER ABOUT THE PROPER WAY TO MOUNT AND DISMOUNT FROM THE VEHICLE.**

**THE VEHICLE INCLUDES PASSENGER FOOTRESTS WHICH SHOULD BE USED DURING MOUNTING AND DISMOUNTING. THE PASSENGER SHOULD ALWAYS USE THE LEFT FOOTREST FOR MOUNTING AND DISMOUNTING FROM THE VEHICLE.**

**DO NOT DISMOUNT OR EVEN ATTEMPT TO DISMOUNT BY JUMPING OR STRETCHING OUT YOUR LEG IN ORDER TO TOUCH THE GROUND. IN BOTH CASES THE STABILITY AND EQUILIBRIUM OF THE VEHICLE COULD BE COMPROMISED.**

#### **IMPORTANT**

**BAGGAGE OR OBJECTS ATTACHED TO THE REAR PART OF THE VEHICLE CAN CREATE AN OBSTACLE DURING MOUNTING AND DISMOUNTING FROM THE VEHICLE.**

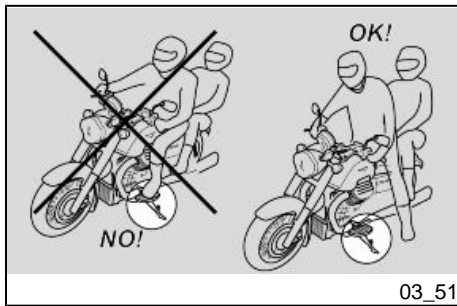
**IN ALL CASES, THINK AHEAD AND MOVE YOUR RIGHT LEG CAREFULLY, AS IT WILL HAVE TO AVOID AND CLEAR THE REAR PART OF THE VEHICLE (INCLUDING BAGGAGE AND THE TAIL FAIRING) WITHOUT CAUSING LOSS OF BALANCE.**

#### **NOTE**

**BEFORE DEPARTURE, MAKE SURE THAT THE CASES ARE CLOSED AND CORRECTLY FASTENED TO THE VEHICLE.**



**THE CASES MUST NOT BE USED AS SUPPORT AND THE HANDLES MUST NOT BE USED AS ANCHOR POINTS FOR THE PASSENGER.**



## MOUNTING

- Grip the handlebar properly and mount the vehicle without placing your weight upon the side stand.

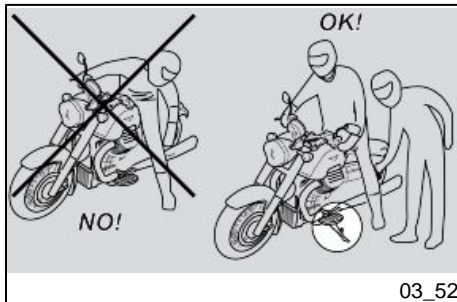
## IMPORTANT

**IN THE CASE THAT YOU ARE NOT ABLE TO REST BOTH FEET ON THE GROUND, PUT THE RIGHT FOOT ON THE GROUND, (IN THE CASE OF A LOSS OF BALANCE THE LEFT SIDE IS "PROTECTED" BY THE SIDE STAND) AND KEEP YOUR LEFT FOOT READY TO BE POSITIONED.**

- Place both feet on the ground and straighten the vehicle into the driving position, always maintaining its equilibrium.

## IMPORTANT

**THE RIDER SHOULD NOT OPEN OR TRY TO OPEN THE PASSENGER FOOTRESTS FROM THE RIDER'S SEAT, AS IT COULD COMPROMISE THE STABILITY AND EQUILIBRIUM OF THE VEHICLE.**



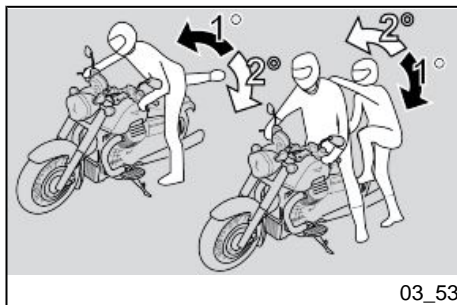
- Have the passenger open the two passenger foot pegs.
- Show the passenger how to mount the vehicle.
- Use your left foot to push on the side stand and make it fully return to its position.

## DISMOUNTING

- Select an appropriate parking spot.
- Stop the vehicle.



**MAKE SURE THAT THE GROUND ON WHICH THE MOTORCYCLE IS PARKED IS FIRM, EVEN AND FREE OF OBSTACLES.**



- Use the heel of your left foot to completely open the side stand.

#### IMPORTANT

**IN THE CASE THAT YOU ARE NOT ABLE TO REST BOTH FEET ON THE GROUND, PUT THE RIGHT FOOT ON THE GROUND, (IN THE CASE OF A LOSS OF BALANCE THE LEFT SIDE IS "PROTECTED" BY THE SIDE STAND) AND KEEP YOUR LEFT FOOT READY TO BE POSITIONED.**

- Place both feet on the ground and keep the vehicle balanced in the driving position.
- Show the passenger how to dismount from the vehicle.



#### RISK OF FALLING OR OVERTURNING.

**MAKE SURE THAT THE PASSENGER HAS DISMOUNTED FROM THE VEHICLE.  
DO NOT PLACE YOUR WEIGHT UPON THE SIDE STAND.**

- Lean the motorcycle until the stand touches the ground.
- Correctly grip the handlebar, and dismount from the vehicle.
- Turn the handlebar completely to the left.
- Place the passenger footrest in its place.

#### IMPORTANT



**MAKE SURE THE VEHICLE IS STABLE.**

## Load (03\_54, 03\_55, 03\_56, 03\_57, 03\_58)

### SIDE CASES

#### WARNING



**DO NOT LOAD MORE THAN 11 lb. (5 kg) IN EACH CASE, BECAUSE EXCESSIVE LOADS MAY DAMAGE THEM.**

#### IMPORTANT

**THE MAXIMUM ALLOWED SPEED WITH THE CASES MOUNTED IS 100 MPH (160 km/h).**

#### NOTE

**AN EXCESSIVE VOLUME IN THE CASE MAY COMPROMISE THE WATER RESISTANCE OF THE CASE.**

#### NOTE

**BEFORE DEPARTURE, MAKE SURE THAT THE CASES ARE CLOSED AND CORRECTLY FASTENED TO THE VEHICLE.**

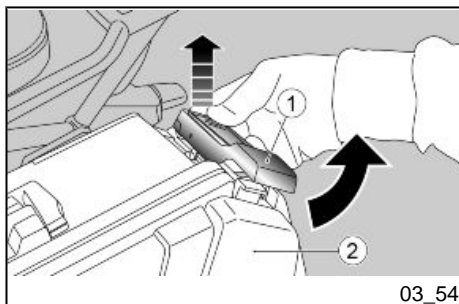


**THE CASES MUST NOT BE USED AS SUPPORT AND THE HANDLES MUST NOT BE USED AS ANCHOR POINTS FOR THE PASSENGER.**

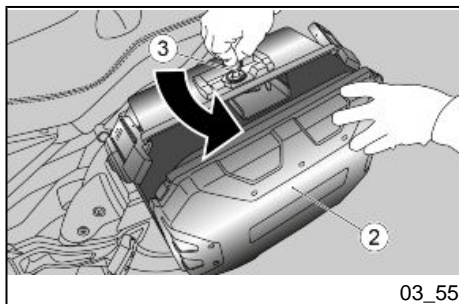
### COVER OPENING

**NOTE**

THE FOLLOWING OPERATIONS REFER TO ONE CASE BUT ARE VALID FOR BOTH.



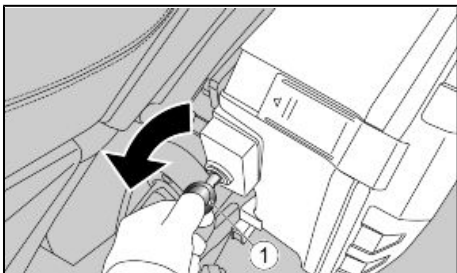
- Lift the closing levers (1) at the rear and then detach them from the cover (2).



- Insert the key (3) in the case's lock and turn it anticlockwise to open the cover (2).

**NOTE**

THE KEY USED TO OPEN THE CASES CAN BE REMOVED ONLY WHEN THE LOCK IS CLOSED.



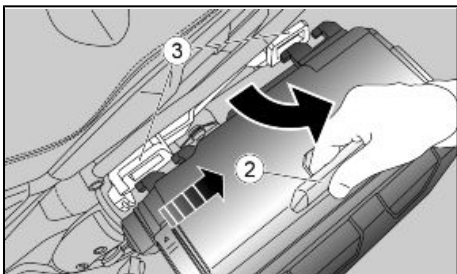
03\_56

### SIDE CASE REMOVAL

- Insert the key (1) in the case's lock and turn it anticlockwise to detach it.

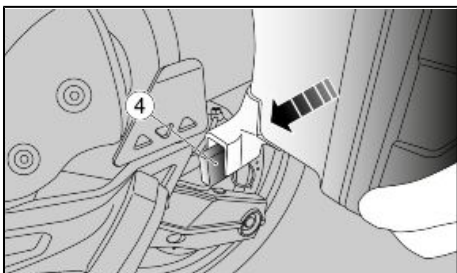
#### NOTE

**THE KEY USED TO UNLOCK AND REMOVE THE CASES CAN BE REMOVED ONLY WHEN THE LOCK IS CLOSED.**



03\_57

- Grab the handle (2) and pull the bag backward to detach it from the supports (3) and then remove it by moving it to the outside.



03\_58

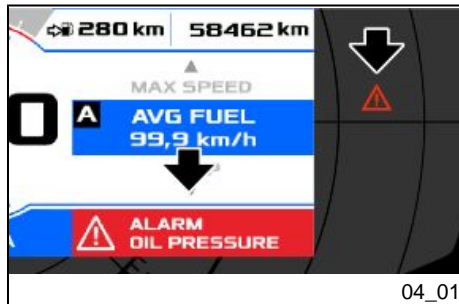
#### NOTE

**TO REFIT THE CASES, MAKE SURE THAT THE LOWER PART IS ALSO FASTENED TO THE SPECIFIC SUPPORT (4).**

# V85 TT - V85 TT Travel E5



**Chap. 04**  
**Maintenance**



## Foreword

In general terms, scheduled maintenance can be carried out by the owner; however, some operations may require specific tools and technical training. For periodic maintenance, servicing or technical advice, contact an **Official Moto Guzzi Dealer** for prompt and accurate service.

### IMPORTANT

**THIS VEHICLE HAS BEEN PROGRAMMED TO INDICATE IN REAL TIME ANY ACTIVATION FAILURE STORED IN THE ELECTRONIC CONTROL UNIT MEMORY.**

**ANY TIME THE IGNITION SWITCH IS SET TO "ON", THE "GENERAL ALARM" WARNING LIGHT ON THE INSTRUMENT PANEL TURNS ON FOR THREE SECONDS. IF THE WARNING LIGHT TURNS OFF, IT MEANS THAT THERE ARE NO MALFUNCTIONS.**

### IMPORTANT

**CARRY OUT MAINTENANCE OPERATIONS AT HALF THE INTERVALS SPECIFIED IF THE VEHICLE IS USED IN PARTICULAR RAINY OR DUSTY CONDITIONS, OFF ROAD OR FOR TRACK USE.**

## Engine oil level (04\_01)



**CORRECT VEHICLE LUBRICATION IS A VERY DELICATE OPERATION FROM THE SAFETY POINT OF VIEW. PAY ATTENTION TO KEEP THE LUBRICANT AT THE RIGHT LEVEL AND TO USE A GOOD QUALITY OIL OF THE CORRECT TYPE FOR YOUR VEHICLE OTHERWISE, THERE COULD BE ENGINE GRIPPING WHICH CAN CAUSE SERIOUS ACCIDENT OR EVEN DEATH.**



**USE LATEX GLOVES FOR MAINTENANCE OPERATIONS THAT REQUIRE CONTACT WITH THE USED OIL. THE USE OF ENGINE OIL CAN CAUSE SKIN TUMOURS IF HANDLED LONG AND DAILY. CAREFULLY WASH YOUR HANDS WITH WATER AND SOAP AFTER USING USED ENGINE OIL.**

**KEEP OUT OF THE REACH OF CHILDREN.**

**DISPOSE OF OIL CORRECTLY.**



**PAY UTMOST ATTENTION WHEN PUTTING OIL IN YOUR VEHICLE NOT TO SPILL IT OUT.**

**IMMEDIATELY CLEAN ANY DROP OF SPILLED OIL AS THE OIL CAN COMPROMISE THE FINISHING OF YOUR VEHICLE. FURTHER, OIL MAKES TYRES EXTREMELY SLIPPY AND THUS INCREASES THE RISK OF DANGEROUS ACCIDENTS AND SITUATIONS.**

**IN THE EVENT OF OIL LEAKAGE, DO NOT DRIVE YOUR VEHICLE. BEFORE USING THE VEHICLE, HAVE IT REPAIRED BY A Moto Guzzi Official Dealer.**



**IF THE WARNING LAMP FLASHES TOGETHER WITH THE "ALARM OIL PRESSURE" MESSAGE AFTER THE ENGINE HAS BEEN STARTED, IT MEANS THAT THE OIL SYSTEM DOES NOT PRODUCE SUFFICIENT PRESSURE. IN THIS CASE, IMMEDIATELY STOP THE ENGINE AND CONTACT A Moto Guzzi Official Dealer. FAILURE TO OBSERVE THIS WARNING CAN LEAD TO ENGINE SEIZURE, ROLL OVER AND SERIOUS ACCIDENTS EVEN DEATH.**

## Engine oil level check (04\_02)

Check the engine oil level frequently.

### NOTE

**CARRY OUT MAINTENANCE OPERATIONS AT HALF THE INTERVALS SPECIFIED IF THE VEHICLE IS USED IN PARTICULAR RAINY OR DUSTY CONDITIONS, OFF ROAD OR FOR TRACK USE.**

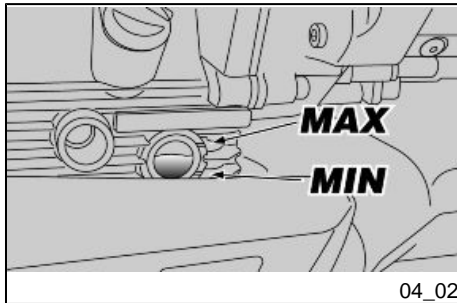


**THE OIL LEVEL MUST BE CHECKED WHEN THE ENGINE IS WARM.**

### IMPORTANT

**DO NOT LET THE ENGINE IDLE WITH THE VEHICLE AT A STANDSTILL TO WARM UP THE ENGINE AND OBTAIN THE OPERATING TEMPERATURE OF ENGINE OIL.**

**PREFERABLY CHECK THE OIL AFTER A JOURNEY OF AFTER TRAVELLING APPROXIMATELY 10 miles (15 Km) IN EXTRA-URBAN CONDITIONS (ENOUGH TO WARM UP THE ENGINE OIL TO OPERATING TEMPERATURE).**

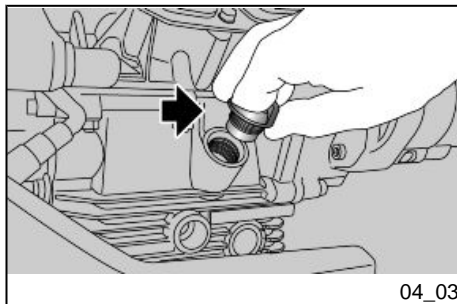


- Shut off the engine.
- Keep the vehicle upright with both wheels on the earth.
- Using the relative opening on the engine casing, check the oil level.

**MAX** (top notch) = maximum level.

**MIN** (bottom notch) = minimum level

- The level is correct if it reaches the "**MAX**" level.



04\_03

## Engine Oil Top Off (04\_03)

If the engine oil needs to be topped up, proceed as follows:

- Unscrew and remove the cap.

### IMPORTANT

**ONLY USE THE ENGINE OIL TYPE INDICATED IN THE RECOMMENDED FLUIDS AND LUBRICANTS TABLE.**

- Pour in the necessary quantity of engine oil to reach the correct level.

### IMPORTANT

**DO NOT ADD ADDITIVES OR ANY OTHER SUBSTANCES TO THE OIL. WHEN USING A FUNNEL OR ANY OTHER ELEMENT, MAKE SURE IT IS PERFECTLY CLEAN.**

## Engine oil change

### IMPORTANT

**THE ENGINE OIL MUST BE CHECKED AND CHANGED BY AN Official Moto Guzzi Dealership**

## Replacement of engine oil filter

### IMPORTANT

**THE ENGINE OIL FILTER MUST BE CHECKED AND CHANGED BY AN Official Moto Guzzi Dealership**

## Bevel gear pair oil level

### IMPORTANT

TO TOP-UP OR CHANGE THE OIL IN THE CARDAN SHAFT TRANSMISSION UNIT, CONTACT AN Official Moto Guzzi Dealer.

## Gearbox oil level

### IMPORTANT

THE GEARBOX OIL MUST BE CHECKED AND CHANGED BY AN Official Moto Guzzi Dealership.

## Tires (04\_04, 04\_05, 04\_06)

This vehicle is fitted with tubeless tyres (without inner tubes).

### IMPORTANT

CHECK TYRE INFLATION PRESSURE REGULARLY AT AMBIENT TEMPERATURE. MEASUREMENTS MAY BE INCORRECT IF TYRES ARE WARM. CHECK PRESSURE MAINLY BEFORE AND AFTER LONG TRIPS. AN OVER-INFLATED TYRE WILL PROVIDE A HARSH RIDE AS SURFACE UNEVENNESS IS NOT CUSHIONED AND IS SENT TO THE HANDLEBAR, THUS REDUCING GRIP AND ROAD HOLDING SPECIALLY WHEN CORNERING.

ON THE OTHER HAND, AN UNDER-INFLATED TYRE CAUSES THE CONTACT PATCH TO INCLUDE A LARGER PORTION OF THE TYRE SIDE WALLS. IF SO, THE TYRE MIGHT SLIP ON OR GET DETACHED FROM THE WHEEL RIM, RESULTING IN LOSS OF CONTROL OVER THE VEHICLE.

EVENTUALLY THE VEHICLE MIGHT SKID IN A BEND.

**CHECK THE SURFACE CONDITION AND WEAR BECAUSE POOR TYRE CONDITION COULD COMPROMISE GRIP AND HANDLING OF THE VEHICLE.**

**SOME TYRE TYPES APPROVED FOR THIS VEHICLE FEATURE WEAR INDICATORS.**

**THERE ARE SEVERAL TYPES OF WEAR INDICATORS. CONSULT YOUR DEALER ON METHODS TO CHECK FOR WEAR.**

**CARRY OUT A VISUAL INSPECTION FOR TYRE WEAR AND TEAR, REPLACE TYRES WHEN WORN.**

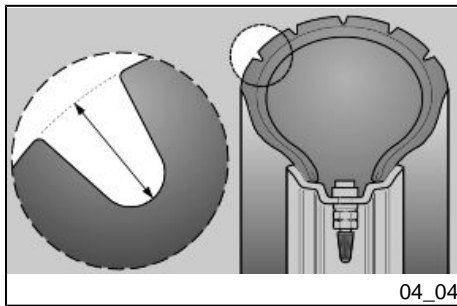
**WHEN TYRES ARE OLD, THE MATERIAL MAY HARDEN AND NOT PROVIDE ADEQUATE ROAD HOLDING, EVEN IF TYRES ARE STILL WITHIN THE WEAR LIMIT. REPLACE TYRES IF THIS OCCURS. REPLACE THE TYRE IF IT IS WORN OR IF THERE IS A PUNCTURE LARGER THAN 0.197 in (5 mm) IN THE TREAD AREA.**

**WHEEL MUST BE BALANCED AFTER A TYRE IS MENDED.**

**USE ONLY TYRE SIZES INDICATED BY THE MANUFACTURER. DO NOT FIT TYRES WITH INNER TUBES ON RIMS FOR TUBELESS TYRES OR VICE VERSA. CHECK THAT THE INFLATION VALVES HAVE THEIR CAPS FITTED TO AVOID UNEXPECTED FLAT TYRES.**

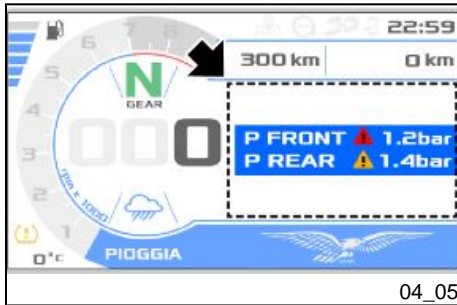
**REPLACEMENT, REPAIR, MAINTENANCE AND BALANCING OPERATIONS ARE HIGHLY IMPORTANT AND SO THEY SHOULD BE CARRIED USING THE SPECIFIC TOOLS AND WITH ADEQUATE EXPERTISE. HAVE YOUR TYRES AND WHEELS SERVICED AT AN AUTHORISED DEALER OR A SPECIALISED TYRE WORKSHOP.**

**NEW TYRES MAY BE COATED WITH AN OILY FILM: RIDE WITH CAUTION DURING THE FIRST KILOMETRES. DO NOT APPLY UNSUITABLE LIQUIDS ON TYRES.**



#### Minimum tread depth:

front and rear USA <METRICCONVERTER w:st="on" productid="3 mm">0.118 in (USA <METRICCONVERTER w:st="on" productid="3 mm">3 mm) Eu 0.079 in<METRICCONVERTER w:st="on" productid="2 mm"> (Eu 2 mm) and however not below the values prescribed by the legislation in force in the country in which the vehicle is used.

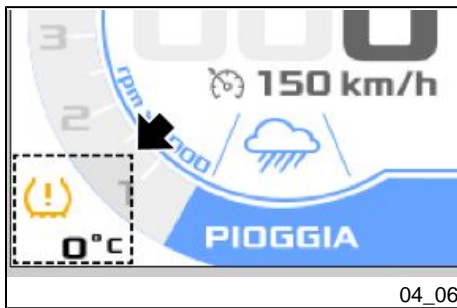


#### (if applicable)

The vehicle is equipped with TPMS sensors (Tyre Pressure Measurement System) located on the inside of the rims near the inflation valves; they communicate the tyre pressure to the digital display via radio frequency.

In ROAD mode, there is a screen on the digital display where the reference values and any warning signals (if active) are constantly visible.

Possible warnings are accompanied by the fixed lighting of the TPMS icon, visible both in the ROAD and NAVI driving modes.



## Spark plug removal

### IMPORTANT

FOR REMOVAL, CHECK, AND REPLACEMENT OF THE SPARK PLUGS CONTACT AN OFFICIAL Moto Guzzi Dealer.

## Air filter removal

### IMPORTANT

TO REMOVE, CHECK AND REPLACE THE AIR FILTER, CONTACT AN Official Moto Guzzi Dealer.

## Checking the brake fluid level (04\_07, 04\_08)

### Front brake fluid check

- Rest the vehicle on its stand.
- Turn the handlebar so that the fluid is at the same level as the plug
- Make sure that the fluid level in the reservoir is above the "MIN" reference mark

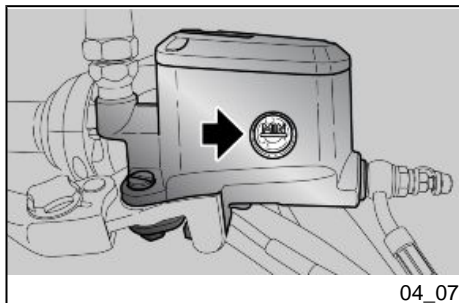
**MIN** = minimum level

If the fluid does not reach at least the "MIN" reference mark:

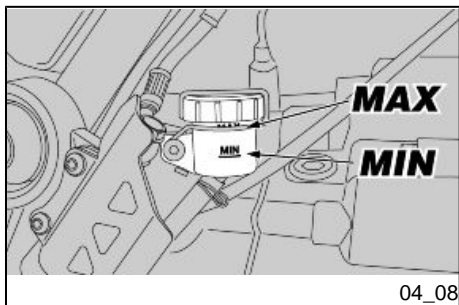
### IMPORTANT

**FLUID LEVEL DECREASES GRADUALLY AS BRAKE PADS WEAR DOWN.**

- Check brake pads and discs for wear.



04\_07



If the brake pads and/or brake discs do not have to be replaced, have the braking system checked at an **Official Moto Guzzi Dealership**.

#### Rear brake fluid check

- Keep the vehicle upright so that the fluid in the reservoir is at the same level as the plug.
- Make sure that the fluid level in the reservoir is above the "MIN" reference mark:

**MIN** = minimum level

**MAX** = maximum level

If the fluid does not reach at least the "MIN" reference mark:

#### IMPORTANT

**FLUID LEVEL DECREASES GRADUALLY AS BRAKE PADS WEAR DOWN.**

- Check brake pads and discs for wear.

If the brake pads and/or brake discs do not have to be replaced, have the braking system checked at an **Official Moto Guzzi Dealership**.

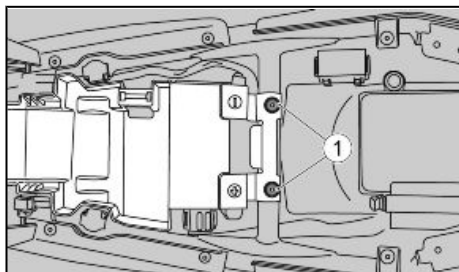
#### Braking system fluid top up

#### IMPORTANT

**FOR THE TOP-UP OF THE BRAKING SYSTEMS COOLANT, CONTACT AN Official Moto Guzzi Dealer.**

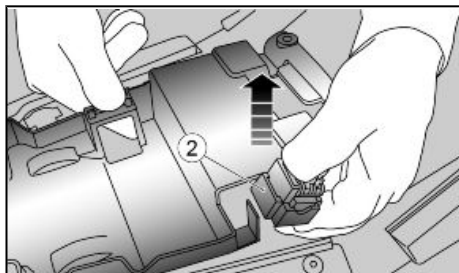
**Battery removal (04\_09, 04\_10, 04\_11, 04\_12)**

- Make sure that the ignition switch is turned to "KEY OFF"
- Remove the seat;
- Remove the fixing screws (1) of the glove box;



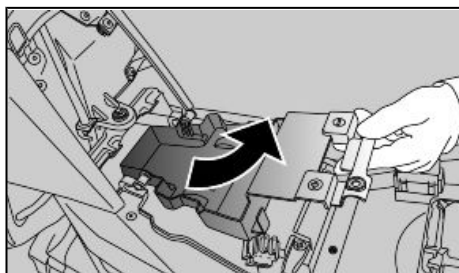
04\_09

- Disconnect the main fuse support (2) from the glove box;

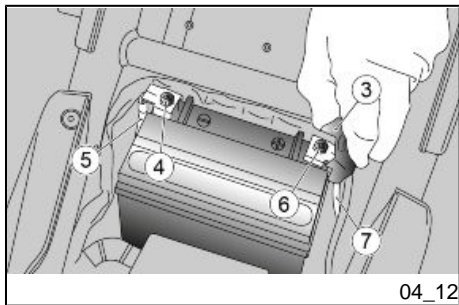


04\_10

- Detach the glove box at the front side and remove it.



04\_11



- Unscrew and remove the screw (4) from the negative terminal (-).
- Move the negative lead (5) aside.
- Move the protective cover (3), unscrew and remove the screw (6) from the positive terminal (+).
- Move the positive lead (7) aside.
- Remove the battery retainer bracket (7).
- Grab the battery firmly and remove it from its seat.
- Put the battery away on a level surface, in a cool and dry place.



**CHECK THAT THE CABLE TERMINALS AND BATTERY LEADS ARE:**

- **IN GOOD CONDITION (NOT CORRODED OR COVERED BY DEPOSITS);**
- **COVERED BY NEUTRAL GREASE OR PETROLEUM JELLY.**



**REMOVING THE BATTERY RESETS THE DIGITAL CLOCK AND THE TRIP JOURNAL FUNCTIONS.**

**IMPORTANT**



**ONCE REMOVED, THE BATTERY MUST BE PUT AWAY IN A SAFE PLACE OUT OF THE REACH OF CHILDREN.**

**IMPORTANT**

**UPON REFITTING, CONNECT THE LEAD TO THE POSITIVE TERMINAL (+) FIRST AND AFTERWARDS THE LEAD TO THE NEGATIVE TERMINAL (-).**

## Electrolyte level check

### WARNING

**THIS VEHICLE IS FITTED WITH A MAINTENANCE-FREE BATTERY AND DOES NOT NEED ANY INTERVENTION, EXCEPT FOR SPORADIC CHECKS AND RECHARGE.**

## Charging the Battery

- Remove the battery.
- Get an adequate battery charger.
- Set the battery charger for the recharge type indicated.
- Connect the battery to the battery charger.

### IMPORTANT



**WHEN RECHARGING OR USING THE BATTERY, BE CAREFUL TO HAVE THE ROOM ADEQUATELY AIRED. DO NOT BREATHE GASES RELEASED WHEN THE BATTERY IS RECHARGING.**

- Switch on the battery charger.

### **CHARGE MODES**

#### **Normal recharge**

- Electric current: 1,4 A
- Time: 5-10 hours

#### **Quick charge**

- Electric current: 6 A

- Time: 1 hours

## Long periods of inactivity

If the vehicle is inactive longer than fifteen days, it is necessary to recharge the battery to avoid sulphation.

- Remove the battery and put it away in a cool and dry place.

In winter or when the vehicle is out of use for prolonged periods, check charge level frequently (about once a month) to prevent deterioration.

- Recharge it fully with an ordinary charge.

If the battery is still on the vehicle, disconnect the cables from the terminals.

### Checking and cleaning terminals and leads

- Partially remove the battery from its housing.
- Check that the battery cable terminals and leads are in good conditions (not corroded or covered by deposits) and covered with neutral grease or petroleum jelly.

## Fuses (04\_13, 04\_14, 04\_15, 04\_16)

### IMPORTANT

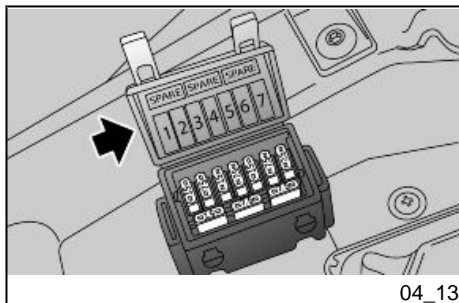


**DO NOT ATTEMPT TO REPAIR FAULTY FUSES.**

**NEVER USE A FUSE THAT IS DIFFERENT THAN WHAT IS SPECIFIED TO PREVENT DAMAGES TO THE ELECTRICAL SYSTEM OR SHORT CIRCUITS, AND THE RISK OF FIRE.**

**NOTE**

**A FUSE THAT BLOWS FREQUENTLY MAY INDICATE A SHORT CIRCUIT OR OVERLOAD. IF THIS OCCURS, CONTACT AN Official Guzzi Dealer.**



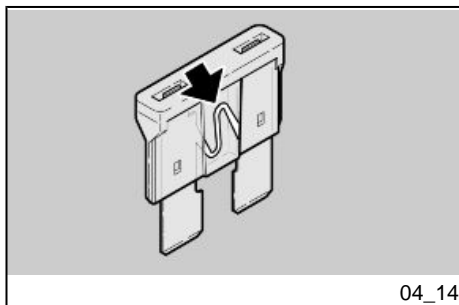
04\_13

**To check:**

- Set the ignition switch to 'OFF' to avoid an accidental short circuit.
- Remove the saddle.
- Remove the fuse box cover.
- Take out one fuse at a time and check if the filament is broken.
- Before replacing the fuse, find and solve, if possible, the reason that caused the problem.
- If the fuse is damaged, replace it with one of the same current rating.

**NOTE**

**IF THE SPARE FUSE IS USED, REPLACE WITH ONE OF THE SAME TYPE IN THE CORRESPONDING FITTING.**



04\_14

**MAIN FUSES**

A) 30A fuse

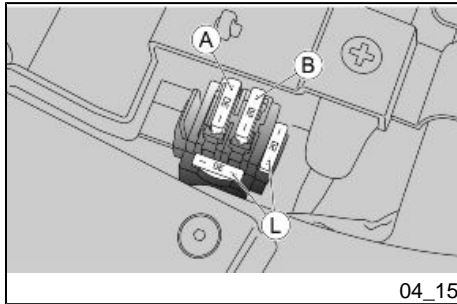
Battery charging, all vehicle utilities.

B) 20A fuse

ABS power feed

L) spare fuses

*They are located under the saddle on the left side*



## **SECONDARY FUSES**

C) 15A fuse

Low beam/high beam lights and passing, brake lights, DRL/position lights, horn, fog lights (where required), lights control

D) 7.5A fuse

Instrument cluster power supply, antitheft device power supply, hand grips and turn indicators

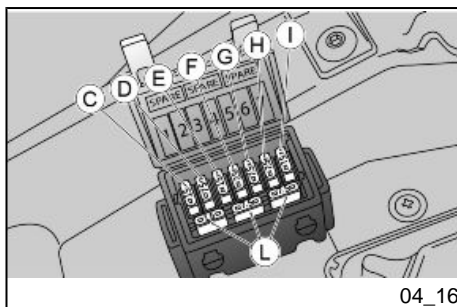
E) 15A fuse

ECU positive switched live, instrument cluster positive switched live, ABS positive

	switched live, starter relay, CAN left light switch
F) 7.5A fuse	ECU permanent positive lead
G) 7.5A fuse	Bluedash (GMP), OBD
H) 7.5A fuse	USB socket, antitheft device
I) 15A fuse	ECU power, secondary air system, injectors, starter coils, fuel pump, canister

L) spare fuses

*They are located under the saddle on the right side*



04\_16

## Front light group

### NOTE

WHEN THE REAR WHEEL EXCEEDS THE SPEED OF 0.62 mph (1 km/h) (EVEN WITH THE ENGINE OFF AND THE KEY SET TO ON), THE HEADLAMPS WILL TURN ON AND WILL REMAIN ON FOR 30 SECONDS (FROM THE TIME WHEN THE REAR WHEEL STOPS MOVING).

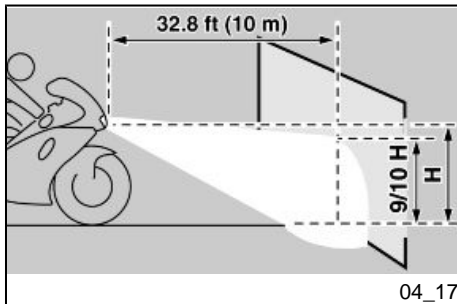
### IMPORTANT

TO REMOVE, CHECK AND REPLACE THE FRONT LIGHT ASSEMBLY LAMPS, CONTACT AN Authorised Moto Guzzi Dealership

## Headlight adjustment (04\_17, 04\_18, 04\_19)

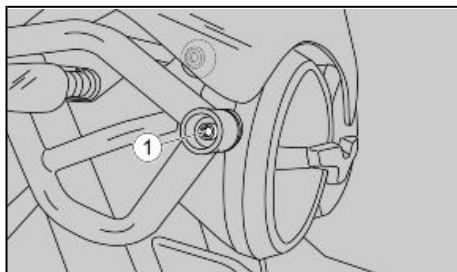
### NOTE

IN COMPLIANCE WITH LOCAL LEGAL REQUIREMENTS, SPECIFIC PROCEDURES MUST BE FOLLOWED WHEN CHECKING LIGHT BEAM ADJUSTMENT.



For a quick check of the correct direction of the front light beam:

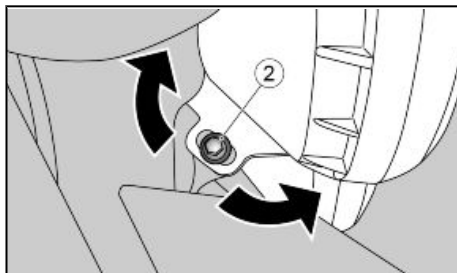
- Place the vehicle 32.81 ft (10 m) away from a vertical wall and make sure the ground is level.
- Turn on the low beam light, sit on the vehicle and check that the light beam projected to the wall is a little below the headlight horizontal straight line (about 9/10 of the total height).



04\_18

#### To carry out vertical adjustment of the light beam:

- Stand the motorcycle in a vertical position.
- Slightly loosen the headlamp fixing screws (1) on both sides.



04\_19

- Slightly loosen the headlamp fixing screw (2), and move the light beam manually to the desired position.
- Once the adjustment is finished tighten all screws.

After adjusting:

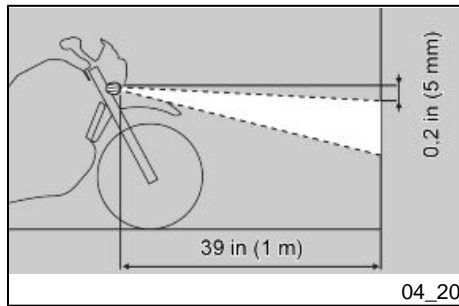
#### NOTE

**CHECK THAT THE VERTICAL ALIGNMENT OF THE BEAM IS CORRECT.**

#### Front direction indicators

#### NOTE

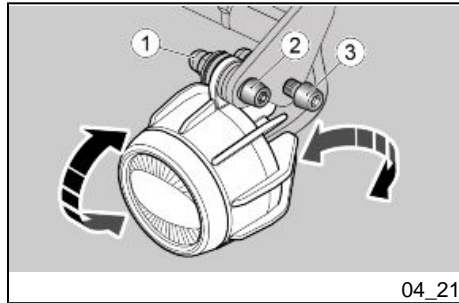
**TO REMOVE, CHECK AND REPLACE THE FRONT TURN INDICATORS, PLEASE CONTACT AN Authorised Moto Guzzi Dealership**



## Additional lights (04\_20, 04\_21)

### ADJUSTMENT

- Placing the vehicle in driving position with the fog lights at a distance of 39 in (1 m) from a vertical wall, the upper edge of the projected light beam must be at least 0.2 in (5 mm) lower than the height of the fog light optical centers from the ground level.
- For vertical adjustment, loosen the nut (1) of the screw (2), then position the fog lights and tighten the nut at the specified torque to fix it into position.
- For horizontal adjustment, use the screw (3) turning it clockwise to align the light beam towards the road center and anticlockwise to obtain an inverse alignment.



## Bulb replacement

### IMPORTANT

**TO REMOVE, CHECK AND REPLACE THE ADDITIONAL HEADLAMPS, CONTACT AN OFFICIAL Moto Guzzi Dealer.**

## Rear lights

### IMPORTANT

TO REMOVE, CHECK AND REPLACE THE REAR LIGHT ASSEMBLY, CONTACT AN Authorised Moto Guzzi Dealership.

## Rear turn signals

### NOTE

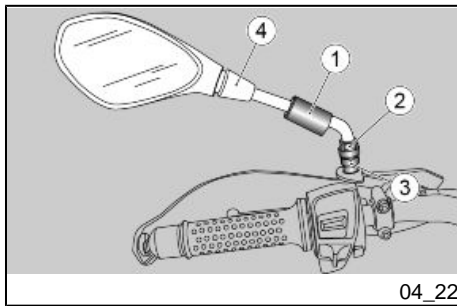
FOR DISASSEMBLY, VERIFICATION AND REPLACEMENT OF REAR INDICATORS PLEASE CONTACT AN Official Moto Guzzi Dealership

## Rear-view mirrors (04\_22, 04\_23)



DO NOT RIDE WITH REAR-VIEW MIRRORS INCORRECTLY SET.

ALWAYS CHECK THAT THE MIRRORS ARE ADJUSTED CORRECTLY BEFORE SETTING OFF.



#### Removing the rear-view mirrors:

- Rest the vehicle on its stand.
- Lift the rubber protection (1).
- Loosen the fastening nut (2) by ensuring that the threaded clamp (3) cannot rotate.
- Slide up and remove the complete rear-view mirror unit (4).

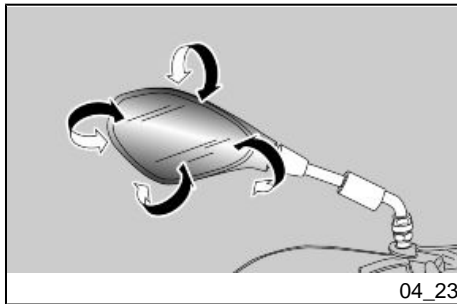
Repeat the procedure to remove the other rear-view mirror, if necessary.



**UPON REFITTING AND BEFORE TIGHTENING THE LOCKING NUT, MAKE SURE THAT THE REAR VIEW MIRROR SUPPORT STEM IS ALIGNED WITH THE HANDLEBAR.**

#### IMPORTANT

**THE VEHICLE MAY NOT BE RIDDEN ON PUBLIC ROADS WITH THE REAR VIEW MIRRORS REMOVED.**



#### Rear-view mirrors adjustment:

- Get onto the bike in the riding position.
- Turn the mirror, correctly adjusting the inclination.

Repeat the procedure to adjust the other mirror.

- Make sure there is no dirt or mud.

## Front and rear disc brake (04\_24, 04\_25, 04\_26)

### IMPORTANT



**A DIRTY DISC SMEARS THE PADS RESULTING IN POOR BRAKING.**

**REPLACE DIRTY PADS AND CLEAN AGAIN THE DIRTY DISC USING A TOP QUALITY DEGREASING PRODUCT.**

### IMPORTANT

**TAKE YOUR VEHICLE TO AN Official Moto Guzzi Dealer TO HAVE THE FRONT WHEEL REMOVED.**

### IMPORTANT



**CHECK BRAKE PADS FOR WEAR MAINLY BEFORE EACH RIDE.**

#### **To perform a quick pad wear check:**

Put the vehicle on the stand and carry out a visual inspection of the brake disc and pads as follows:

- **For the front brake calipers:** from the left part of the vehicle, check the right brake caliper (looking through the rim) and vice versa for the left brake caliper.
- **For the rear brake caliper:** from behind.

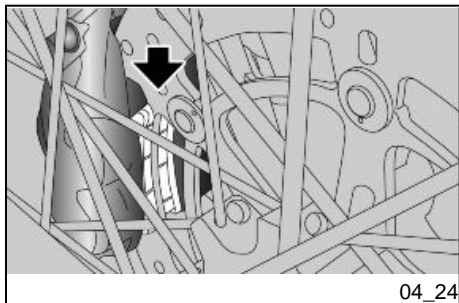
### IMPORTANT

**EXCESSIVE WEAR OF THE FRICTION MATERIAL MAKES THE PAD METAL SUPPORT GET INTO CONTACT WITH THE DISC, WHICH RESULTS IN A METALLIC NOISE AND SPARKS IN THE CALLIPER; THEREFORE, BRAKING EFFICIENCY AND DISC SAFETY AND INTEGRITY ARE AT RISK.**

Do not ride your vehicle with worn or malfunctioning brakes! Brakes are one of the most important parts for your vehicle's safety system, and using a vehicle that does not have perfect brakes means you are at high risk of collisions and accidents, even fatal.



**IN CONDITIONS OF HUMID AND WET GROUND, THE PERFORMANCE OF THE BRAKING SYSTEM IS WIDELY REDUCED. WHEN THE ROAD SURFACE IS WET DUE TO RAIN, YOU SHOULD CHOOSE TO MAINTAIN A DOUBLE SAFETY DISTANCE, ALSO BECAUSE THE TYRE GRIP TO THE GROUND IS EXTREMELY REDUCED. PAY UTMOST ATTENTION TO WATER THAT MAY COME INTO CONTACT WITH THE BRAKES AFTER YOU WASH YOUR VEHICLE, OR WHILE YOU HAVE ENCOUNTERED PUDDLES ON THE ROAD, IT CAN SUFFICIENTLY WET YOUR BRAKING SYSTEM AND THUS EFFECTIVELY REDUCE THEM. FAILURE TO OBSERVE THIS WARNING CAN LEAD TO SERIOUS ACCIDENTS AND EVEN DEATH.**



Your vehicle is equipped with disc brakes with separate braking systems.

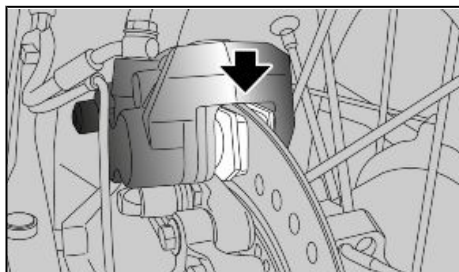
The front braking system is equipped with two discs, one on the right side and the other on the left side of the front wheel. The rear braking system is equipped with a single disc located on the right side of the rear wheel. The following information may refer to a single braking system but is valid for both braking systems.



**BRAKES ARE EXTREMELY IMPORTANT FOR YOUR SAFETY. DO NOT USE YOUR VEHICLE IF THE BRAKES ARE NOT WORKING PERFECTLY. ALWAYS CHECK THE EFFICIENCY OF THE BRAKES BEFORE RIDING THE VEHICLE.**



**IF THE POSITION OF THE BRAKE LEVER CHANGES, IT MAY BE DUE TO A PROBLEM WITH THE HYDRAULIC SYSTEM. FOR ANY DOUBT ABOUT THE**

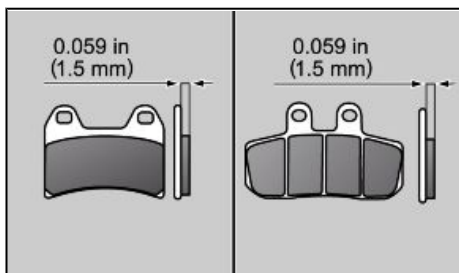


04\_25

**PERFECT OPERATION OF THE BRAKES AND FOR THE NORMAL PERIODIC CHECK, CONTACT A Moto Guzzi Official Dealer BEFORE RIDING THE VEHICLE.**

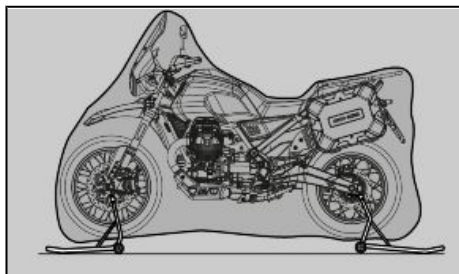
**PAY UTMOST ATTENTION TO THE BRAKE DISCS AND THE FRICTION CAPACITY, MAKING SURE THEY ARE NOT DIRTY AND OILY, ESPECIALLY AFTER MAINTENANCE OR INSPECTION OPERATIONS. CHECK THAT THE BRAKE PIPES ARE NOT GLAZED OR TWISTED, AND THAT THERE IS NO LEAKAGE.**

**KEEP BRAKE FLUID OUT OF THE REACH OF CHILDREN. DISPOSE OF BRAKE FLUID CORRECTLY.**



04\_26

If the friction material thickness (even of one front or rear pad) is reduced to a value of about **0.059 in (1.5 mm)** (or even if one of the wear indicators is not very visible), contact an **Official Moto Guzzi Dealer** to replace all the brake callipers.



04\_27

### Periods of inactivity (04\_27)

A number of precautionary measures must be taken to prevent the possible consequences of prolonged lack of usage of the vehicle. Besides, it is necessary to carry out general repairs and checks before garaging the motorcycle as one can forget to do so afterwards.

Proceed as follows:

- Remove the battery.
- Wash and dry the motorcycle.
- Apply wax polish to painted and chromed surfaces.
- Inflate the tyres.

- Set the vehicle in a room with no heating or humidity, with minimum temperature variations and not exposed to sun rays.
- Wrap and tie a plastic bag around the exhaust pipe opening to keep moisture out.

**IMPORTANT**

**PLACE THE VEHICLE ON SUITABLE SUPPORTS TO KEEP THE TYRES OFF THE GROUND.**

Cover the vehicle but do not use plastic or waterproof materials.

**IMPORTANT**

**TO AVOID BATTERY DETERIORATION, FOLLOW THE PROCEDURE DESCRIBED FOR PROLONGED INACTIVITY.**

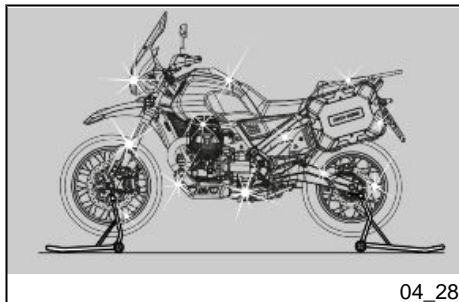
**AFTER STORAGE****NOTE**

**TAKE THE PLASTIC BAGS OFF THE EXHAUST PIPE OPENING.**

- Uncover and clean the vehicle.
- Check the battery for correct charge and install it.
- Refill the fuel tank.
- Carry out the pre-ride checks.

**IMPORTANT**

**AS A TEST, RIDE THE MOTORCYCLE FOR A FEW KILOMETRES AT A MODERATE SPEED AND AWAY FROM TRAFFIC AREAS.**



04\_28

## Cleaning the vehicle (04\_28, 04\_29, 04\_30)

Moto Guzzi recommends using quality products for cleaning the vehicle. The use of unsuitable products can damage vehicle components. For cleaning do not use solvents such as "nitro thinner", "cold cleaning agents", or similar fuels, or cleaning products that contain alcohol.

### WASHING THE MOTORCYCLE

Moto Guzzi recommends softening with water and then carefully removing the insects and stubborn stains before washing the vehicle.

To prevent stains, do not wash the motorcycle immediately after exposure to sunlight, and do not wash it in the sun.

If the vehicle is used during the winter months, be sure to frequently wash the motorcycle. To remove anti-icing salt sprayed on roads in the winter, wash the motorcycle with cold water immediately after use.



**USE OF HOT WATER INTENSIFIES THE EFFECT OF THE SALT. USE ONLY PLENTY OF COLD WATER TO WASH AND REMOVE ANTI-ICING SALT**



**USE OF HIGH PRESSURE WASHING SYSTEMS (OR STEAM CLEANERS) CAN DAMAGE THE SEALS, OIL SEALS, BRAKING SYSTEM, ELECTRICAL SYSTEM AND THE SADDLE. DO NOT USE STEAM OR HIGH PRESSURE CLEANING SYSTEMS. DO NOT USE STEAM OR HIGH PRESSURE CLEANING SYSTEMS. DO NOT INSIST WITH THE PRESSURE NOZZLE ON THE WHEEL BEARINGS, INSIDE THE REAR WHEEL HUB, ON THE HYDRAULIC BRAKING CIRCUIT AND ON THE ELECTRICAL PARTS.**

### CLEANING OF SENSITIVE PARTS

## BODYWORK

To keep the motorcycle bright, wash it regularly, especially if used in areas with high levels of pollution or mud. Aggressive stains from tree resins, gasoline, oil, brake fluid or bird excrement in general.

must be removed immediately, otherwise permanent stains on the paint can appear. After washing is easy to identify marks and residual stains, remove these from the bodywork using a soft cloth, of a non-abrasive polish brand. Periodic care, a thorough cleaning of the bodywork preserves the aesthetic quality of the motorcycle over the long term.

## PLASTIC COMPONENTS



**IF THE PLASTIC COMPONENTS ARE CLEANED USING AGGRESSIVE AGENTS, THE SURFACE MAY BE DAMAGED. DO NOT USE CLEANING PRODUCTS CONTAINING ALCOHOL, SOLVENTS OR THAT ARE ABRASIVE FOR THE CLEANING OF PLASTIC PARTS. ROTARY BRUSHES OR SPONGES WITH HARD SURFACES CAN MAKE SCRATCHES**

## FRONT HEADLIGHT

Do not use products containing aggressive agents during use or during washing, due to the structure of the bottom bracket cup, under the frame can be detected water or dirt.

Since water outside the headlight will dry due to the heat and ventilation during use of the motorcycle, in case of persistence use compressed air at a distance of 10 cm from the headlight.



**TO CLEAN THE HEADLIGHTS USE A SPONGE SOAKED IN WATER AND MILD DETERGENT, RUBBING THE SURFACE GENTLY AND RINSING FREQUENTLY WITH PLENTY OF WATER. DO NOT POLISH MATT-PAINTED SURFACES WITH**

**POLISHING PASTE. THE VEHICLE SHOULD NEVER BE WASHED IN DIRECT SUNLIGHT, ESPECIALLY DURING SUMMER, OR WITH THE BODYWORK STILL HOT AS THE CAR SHAMPOO CAN DAMAGE THE PAINTWORK IF IT DRIES BEFORE BEING RINSED OFF.**

#### **IMPORTANT**

#### **WARNING**

**AFTER HEAVY RAIN, WASHING OR IN CASE OF RAPID TEMPERATURE CHANGES, THE LENSES OF THE FRONT LIGHT ASSEMBLY MAY BECOME FOGGY.**

**THIS STATE IS DUE TO THE TEMPERATURE DIFFERENCE BETWEEN THE OUTSIDE AND THE INSIDE AND DOES NOT INDICATE A FAULT OF THE FRONT LIGHT ASSEMBLY.**

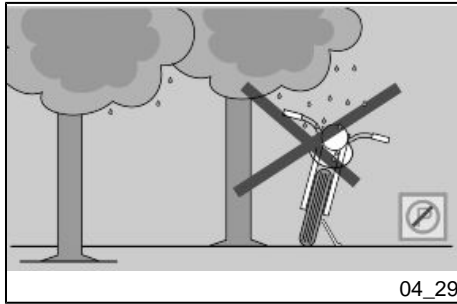
#### **CHROME PARTS AND POLISHED METAL**



**TREAT THE PARTS MADE OF CHROME, ALUMINIUM OR POLISHED STEEL IN A SPECIAL MANNER. WASH THEM WITH PLENTY OF WATER AND CAR SHAMPOO, POLISH AND REGULARLY BRIGHTEN THEM WITH DEDICATED PASTE, PROTECT THEM WITH SUITABLE ACID-FREE PRODUCTS (E.G. VASELINE)**

#### **RUBBER PARTS**

Clean the rubber parts using water and mild shampoo (brand-name, suitable for car bodies)



**THE USE OF SILICONE SPRAY TO CLEAN THE RUBBER SEALS MAY CAUSE DAMAGE. DO NOT USE OTHER PRODUCTS CONTAINING SILICON FOR CLEANING THE MOTORCYCLE**

**Clean the motorcycle frequently if exposed to adverse conditions, such as:**

- Air pollution (cities and industrial areas).
- Salinity and humidity in the atmosphere (seashore areas, hot and wet weather).
- Special environmental/seasonal conditions (use of salt, anti-icing chemical products on the roads in winter).
- Always clean off any smog and pollution residue, tar stains, insects, bird droppings, etc. from the bodywork.
- Avoid parking the vehicle under trees. During some seasons, resins, fruits or leaves containing aggressive chemical substances that may damage the paintwork may fall from trees.

**IMPORTANT**



**BEFORE WASHING THE VEHICLE, COVER THE ENGINE AIR INTAKES AND THE EXHAUST PIPES.**

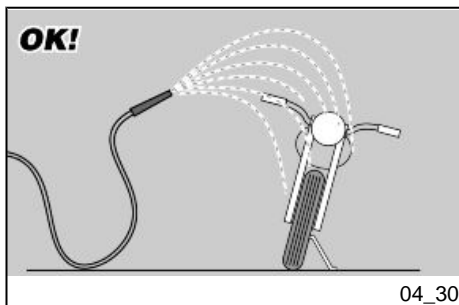
**IMPORTANT**



**CLEAN THE INSTRUMENT PANEL WITH A SOFT CLOTH MOISTENED WITH WATER.**

**IMPORTANT**

**AFTER CLEANING YOUR MOTORCYCLE, BRAKING EFFICIENCY MAY BE TEMPORARILY AFFECTED DUE TO THE PRESENCE OF WATER ON THE FRICTION SURFACES OF THE BRAKING CIRCUIT. ALLOW LONGER BRAKING DISTANCES TO PREVENT ACCIDENTS. BRAKE REPEATEDLY TO RESTORE NORMAL OPERATION. CARRY OUT THE PRE-RIDE CHECKS.**



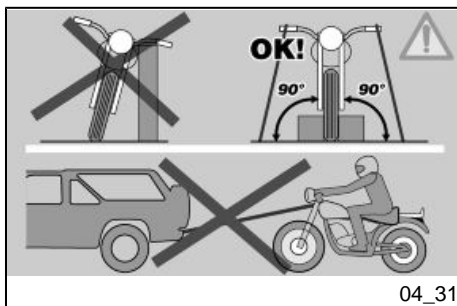
To remove dirt and mud accumulated on painted surfaces, wet the soiled areas thoroughly with a low-pressure water jet, then remove dirt and mud with a soft car body sponge soaked abundantly in a solution of car body shampoo in water (2 - 4% shampoo dissolved in water). Then rinse with plenty of water, and dry with a chamois leather. To clean the engine outer parts, use degreasing detergent, brushes and old cloths. Wash anodised or painted aluminium parts with neutral soap and water. Using aggressive detergents may damage the surface treatment of these components.

**IMPORTANT**

**NEVER USE CLOTHS SOAKED IN PETROL, DIESEL OIL OR KEROSENE FOR CLEANING THE PAINTED OR PLASTIC SURFACES SO AS NOT TO DAMAGE THE LUSTRE FINISH OR ALTER THE MECHANICAL PROPERTIES.**

**IMPORTANT**

**DO NOT USE WATER (OR LIQUIDS) AT TEMPERATURES OVER 104°F (40°C) WHEN CLEANING THE VEHICLE PLASTIC PARTS. DO NOT AIM HIGH PRESSURE AIR/WATER JETS OR STEAM JETS DIRECTLY ON THESE COMPONENTS. DO NOT USE ALCOHOL OR SOLVENTS TO CLEAN ANY RUBBER OR PLASTIC SADDLE COMPONENTS USE WATER AND MILD SOAP.**

**IMPORTANT**

**DO NOT USE SOLVENTS OR PETROL BY-PRODUCTS (ACETONE, TRICHLOROETHYLENE, TURPENTINE, PETROL, THINNERS) TO CLEAN THE SADDLE. USE INSTEAD DETERGENTS WITH SURFACE ACTIVE AGENTS NOT EXCEEDING 5% (NEUTRAL SOAP, OR NEUTRAL DETERGENTS).**

**DRY THE SADDLE WELL AFTER CLEANING.**

**THE USE OF WAX OR SIMILAR PRODUCTS COMPROMISES THE SAFETY OF THE SADDLE ITSELF.**



**WHEN USING A SYSTEM OF PRESSURE WASHING (AFTER CHECKING THAT ANY DETERGENTS ARE COMPATIBLE WITH THE MOTORCYCLE FINISH), KEEP A DISTANCE OF AT LEAST ONE METRE.**



**CLEAN THE VEHICLE IMMEDIATELY WITH COLD WATER AFTER RIDING ON A ROAD TREATED WITH SALT: SALT IS HIGHLY CORROSIVE.**

**Transport (04\_31)****NOTE**

**BEFORE TRANSPORTING THE VEHICLE, CAREFULLY EMPTY THE FUEL TANK AND CHECK THAT IT IS COMPLETELY DRY.**

**WHILE IT IS BEING MOVED, THE VEHICLE MUST REMAIN IN THE VERTICAL POSITION AND BE FIXED SECURELY IN POSITION IN ORDER TO AVOID SPILLING FUEL OR OIL.**

**IN CASE OF FAILURE, DO NOT TOW THE VEHICLE BUT CONTACT A ROAD ASSISTANCE SERVICE INSTEAD TO HAVE THE INFLAMMABLE FLUIDS DRAINED .**



# V85 TT - V85 TT Travel E5



**Chap. 05**  
**Technical data**

## **DIMENSIONS AND MASS**

Maximum Length	88.19 in (2,240 mm)
Maximum width	37.40 in (950 mm)
Height (with adjustable windshield) (V85 TT)	51.18 - 52.17 in (1,300 - 1,325 mm)
Height (with adjustable windshield) (V85 TT Travel)	55.90 - 56.89 in (1,420 - 1,445 mm)
Wheelbase	60.24 in (1,530 mm)
Kerb weight (V85 TT)	504.86 lb. (229 Kg)
Kerb weight (V85 TT Travel)	533.52 lb. (242 Kg)

## **ENGINE**

Type	traverse-mounted four-stroke V 90°	twin-cylinder
Number of cylinders	2	
Engine capacity	52.05 cu. in (853 cc)	
Bore / stroke	3.31 x 3.03 in (84 x 77 mm)	
Compression ratio	10.5 ± 0.5: 1	

Starting	Electric
Idle engine speed	1250 +/- 100 rpm. (rpm)
Clutch	single disc dry clutch with flexible coupling
Lubrication system	pressure-fed, controlled by valves and trochoidal pump
Air filter	cartridge-type dry filter
Cooling	air

### **GEARBOX**

Type	mechanical, 6 speeds with foot lever on the left hand side of the engine
------	--

### **CAPACITY**

Fuel tank capacity (including reserve)	6.08 +/- 0.26 US gal (5.06 +/- 0.22 UK gal; 23 +/- 1 l)
Fuel tank reserve capacity	1.32 +/- 0.13 US gal (1.10 +/- 0.11 UK gal; 5 +/- 0.5 l)

Engine oil	Oil change and oil filter replacement: 107.40 cu in (1760 cc)
Gearbox oil	42.72 cu in (700 cc)
Bevel gear set oil	10.98 cu in (180 cc)
Bevel gear oil (in case of replacement)	9.76 cu in (160 cc) MAX
Seats	2
Max. vehicle load	987.67 lb. (448 Kg) (rider + passenger + luggage)

### **TRANSMISSION**

Primary drive	with gears, ratio: $18/23 = 1 : 1,277$
Gear ratios, 1st gear	$16 / 39 = 1: 2,437$
Gear ratios, 2nd gear	$18 / 32 = 1: 1,777$
Gear ratios, 3rd gear	$21 / 28 = 1: 1,333$
Gear ratios, 4th gear	$24 / 26 = 1: 1,083$
Gear ratios, 5th gear	$25 / 24 = 1: 0,96$
Gear ratios, 6th gear	$27 / 24 = 1 : 0,888$
Final drive	with shaft, ratio $8 / 33 = 1 : 4,125$

**POWER SUPPLY**

Type	Electronic injection (Marelli 11MP)
Diffuser	diam. 2.05 in (52 mm)
Fuel	Unleaded gasoline E10 (95 R.O.N.)

**CHASSIS**

Type	high strength tubular steel frame
Steering rake angle	25,7°
Trail	5.05 in (128.3 mm)

**SUSPENSIONS**

Front	hydraulic telescopic fork diam. 1.61 in (41 mm)
Travel	6.61 in (168 mm)
Rear	Swingarm in die-cast light alloy with 1 shock absorber with adjustable spring pre-loading and hydraulic brake extension.
Travel	4.02 in (102 mm)

## **BRAKES**

Front	12.59 in (320 mm) diam. stainless steel floating disc, caliper with 4 1.26 in (32 mm) diam. counteracting plungers
Rear	stainless steel disc diam. 10.24 in (260 mm) floating calliper with 2 pistons diam. 0.87 in (22 mm)

## **WHEEL RIMS**

Type	alloy, with spokes
Front	2.5" x 19"
Rear	4.25" x 17"

## **TYRES**

Front	110 / 80 R19 59V
Tyre pressure	36.26 PSI (250 kPa) (2.5 bar)
Rear	150 / 70 R17 69V
Tyre pressure	40.61 PSI (280 kPa) (2.8 bar)

**CAUTION**

**When using anti-skid wheels it is recommended to decrease the inflation pressure by 2.90 PSI (20 Kpa) (0.2 bar) at the front and 4.35 PSI (30 Kpa) (0.3 bar) at the rear.**

**SPARK PLUGS**

Standard	NGK IR MR8BI-8
Spark plug electrode gap	0.031 in (0.8 mm)
Resistance	7.5 KOhm (MAX)

**ELECTRICAL SYSTEM**

Battery	12 V - 12 Ah
Fuses	30 - 20 - 15 (3) - 7.5 (4) A
Permanent magnet alternator	12V - 430W

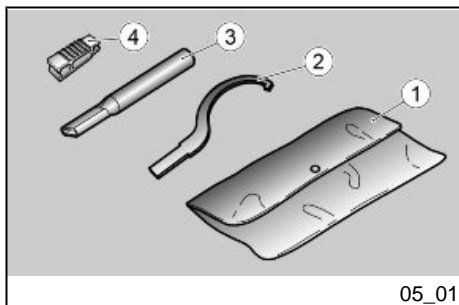
**BULBS**

High beam/low beam light	LED
Front DRL	LED

Turn signal lights	LED
Rear running light / brake light	LED
Dashboard lighting	LED

### **INDICATOR LAMPS**

Gearbox in neutral	LED
High beam headlight	LED
Cruise control warning light	LED
ABS warning light	LED
MI warning light	LED
Turn indicators	LED
Overspeed threshold / gear shift warning lights	LED
Immobilizer warning light	LED
Fuel reserve	LED
MGCT warning light	LED
General alarm	LED
Daytime running lights warning light	LED
Side stand warning light	LED



## Toolkit (05\_01)

### The tools supplied are:

- one toolkit pouch (1);
- shock absorber adjustment wrench (2);
- extension tube (3) for the shock absorber adjustment wrench;
- fuse removal pincers (4).



# V85 TT - V85 TT Travel E5



**Chap. 06**  
**Scheduled**  
**maintenance**



06\_01

## Scheduled servicing table (06\_01, 06\_02)

Proper maintenance is a crucial factor in prolonging the durability of the vehicle and keeping it in perfect working order.

To ensure that maintenance is carried out correctly, the constructor has defined the schedule of checks and services (performed at the owner's expense) summarised in the table given in the following page. It is a good idea to report small performance anomalies right away to an **Authorised Service Centre**, without waiting for the next scheduled service, so they can be repaired immediately.

All scheduled maintenance services must be carried out at the prescribed times, even if the specific mileage has not yet been reached. Services must be performed punctually at the correct intervals to maintain the validity of the warranty. For any additional information concerning Warranty procedures and 'Scheduled Maintenance', please consult the 'Warranty Conditions'.

### NOTE

**CARRY OUT MAINTENANCE OPERATIONS AT HALF THE INTERVALS SPECIFIED IF THE VEHICLE IS USED IN PARTICULAR RAINY OR DUSTY CONDITIONS, OFF ROAD OR FOR TRACK USE.**

### Key:

I: CHECK AND CLEAN, ADJUST, LUBRICATE OR REPLACE, IF NECESSARY

C: CLEAN, R: REPLACE, A: ADJUST, L: LUBRICATE

(1): Replace in case of leaks

(2): Check every month

(3): Check every 500 km (310 miles)

(4): Check and clean, adjust or replace if necessary every 1000 km (621 miles)

(5): Replace at whichever of the following occurs first: 40,000 km (24,855 mi) or 4 years

**SCHEDULED MAINTENANCE TABLE**

<b>Km x 1,000 (mi x 1,000)</b>	<b>1,5 (0.9)</b>	<b>10 (6.2)</b>	<b>20 (12.4)</b>	<b>30 (18.6)</b>	<b>40 (24.9)</b>	<b>50 (31.1)</b>	<b>60 (37.3)</b>	<b>EVER Y 12 MONT HS</b>	<b>EVER Y 24 MONT HS</b>
Oil filter cover O-ring	R	R	R	R	R	R	R	R	R
Gearbox oil filler plug O-ring				I			I		
Engine oil filler plug O-ring	I	I	I	I	I	I	I	I	I
Fork plug O-ring					I				
Spark plugs		I	I	R	I	I	R		
Steering bearings and steering play	I	I	I	I	I	I	I	I	I
Wheel bearings - Wheels		I	I	I	I	I	I	I	I
Diagnosis by tool	I	I	I	I	I	I	I	I	I
Brake discs - Pads wear (4)	I	I	I	I	I	I	I	I	I
Air filter		R	R	R	R	R	R		
Engine oil filter	R	R	R	R	R	R	R	R	R
Vehicle general operation	I	I	I	I	I	I	I	I	I
Valve clearance	A	A	A	A	A	A	A		
Head cover gasket	I	I	I	I	I	I	I		
Gearbox oil discharge plug aluminium gasket				R			R		
Engine oil discharge plug aluminium gasket	R	R	R	R	R	R	R	R	R
Transmission oil discharge plug gasket				R			R		
Gasket for the engine oil filter fastening screw	R	R	R	R	R	R	R	R	R

Km x 1,000 (mi x 1,000)	1,5 (0.9)	10 (6.2)	20 (12.4)	30 (18.6)	40 (24.9)	50 (31.1)	60 (37.3)	EVER Y 12 MONT HS	EVER Y 24 MONT HS
Brake systems	I	I	I	I	I	I	I	I	I
Light circuit	I	I	I	I	I	I	I	I	I
Safety switches	I	I	I	I	I	I	I	I	I
Brake fluid	I	I	I	I	I	I	I	I	R
Gearbox oil				R			R		
Fork oil (5)					R				
Engine oil (3)	R	R	R	R	R	R	R	R	R
Final drive oil				R			R		
Headlight aiming		I	I	I	I	I	I		
Fork oil seals (1)		I	I	I		I	I		
Tyres - pressure / wear (2)	I	I	I	I	I	I	I	I	I
Clutch clearance adjustment	A	A	A	A	A	A	A	A	A
Transmission oil filler plug washer				R			R		
Nut/bolt tightness	I	I	I	I	I	I	I		
Suspensions and stability			I		I		I	I	I
Head cover fastening screws dampers	I	I	I	I	I	I	I		
Filter box drain plug		C	C	C	C	C	C	C	C
Brake lines		I	I	I	I	I	I		
Fuel pipes		I	I	I	I	I	I	I	I



06\_02

The scheduled maintenance table refers to road use. If the new V85 is used for sports, in difficult conditions and on demanding roads, to correctly monitor the actual engine oil ageing there is an electronic device that registers the engine performance and allows predicting the need for maintenance.

For this purpose, when the maintenance icon (see the image) lights up steadily, you must contact a Moto Guzzi service centre to schedule the specific maintenance intervention. In this regard, we would like to remind you that operating the vehicle with degraded engine oil compromises the reliability of the mechanical organs, resulting in early damage and wear of the components.



06\_03

### Recommended Products (06\_03)

Piaggio Group recommends the use of products from its Castrol official partner for the scheduled maintenance of its vehicles.

Only use lubricants and fluids which meet or exceed the performance characteristics specified. This also applies when topping up only.

## TABLE OF RECOMMENDED PRODUCTS

Product	Description	Specifications
Engine oil 10W-60	Synthetic based Lubricant for four stroke high performance engines.	SAE 10W 60; JASO MA, MA2; API SG
75W-140 lubricant for gearboxes and transmissions	Synthetic lubricant for gearboxes and transmissions	SAE 75W-140 - API GL5
Fork oil 7.5W	Fork oil.	SAE 7.5W
Molybdenum disulphide grease	Lithium grease with molybdenum disulphide.	Grey black grease
Petroleum jelly	neutral grease for battery terminals	-
DOT 4 brake fluid	Synthetic brake fluid.	SAE J 1703; FMVSS 116; ISO 4925; CUNA NC 956 DOT4

# INDEX

## A

ABS: 96  
Advanced functions: 56  
Air filter: 163  
Alarms: 49

## B

Battery: 12, 165, 167  
Brake: 12, 123, 124, 163,  
177  
Brake fluid: 12, 163  
Brake lever: 123  
Brake pedal: 124  
Buttons: 55

## C

Clutch: 124  
Clutch lever: 124

## D

Disc brake: 177  
Display: 43

## E

Engine oil: 11, 156, 158, 159  
Engine stop: 93

## F

Fork: 120, 122  
Fuel: 9  
Fuses: 168

## H

Headlight: 172  
Horn: 88

## I

Identification: 107

Ignition switch: 86  
Immobilizer: 103  
Instrument panel: 41  
Instrument Panel: 41

## M

Maintenance: 155, 199  
Mapping selection: 52  
Mirrors: 175

## O

Oil filter: 159

## R

Recommended products:  
203

## S

Saddle: 105

Shock absorbers: 118, 119  
Spark plug: 163  
Stand: 136  
Start-up: 93

## T

Technical data: 189  
Tires: 160  
Turn signals: 175

## U

Use: 15, 111

## W

Warning lights: 10  
Windshield: 108



#### THE VALUE OF GOOD SERVICE

As a result of continuous updates and specific technical training programs for Moto Guzzi products, only **Moto Guzzi** Official Network mechanics know this vehicle fully and have the specific tools necessary to carry out maintenance and repair operations correctly.

The bike's reliability also depends on its mechanical condition. Checking the vehicle before riding it, its regular maintenance and the use of **original Moto Guzzi spare parts** only are essential factors!

To find out which is your nearest **Official Dealer and/or Service Center** visit our website:

[www.motoguzzi.com](http://www.motoguzzi.com)

Only by requesting Moto Guzzi original spare parts can you be sure of purchasing products that were developed and tested during the actual vehicle design stage. All Moto Guzzi original spare parts undergo quality control procedures to guarantee reliability and durability.

The descriptions and images in this publication are given for illustrative purposes only.

While the basic features as described and illustrated in this manual remain unchanged, Moto Guzzi reserves the right, at any time and without being required to update this publication beforehand, to make any changes to components, parts or accessory supplies which it deems necessary to improve the product, or which are required for manufacturing or commercial reasons.

Not all versions shown in this publication are available in all countries. The availability of individual versions should be checked with the official Moto Guzzi Sales Network.

The Moto Guzzi brand is owned by Piaggio & C. S.p.A.

© Copyright 2021 - Piaggio & C. S.p.A. All rights reserved. Reproduction in whole or in part of this publication is prohibited.

Piaggio & C. S.p.A. Viale Rinaldo Piaggio, 25 - 56025 PONTEDERA (PI), Italy

[www.piaggio.com](http://www.piaggio.com)